



## New Product

High Rigidity Type Crossed Roller Bearing V

# CRBHV

Mounting Holed Type High Rigidity Crossed Roller Bearing V

# CRBFBV



### NIPPON THOMPSON CO., LTD. (JAPAN)

Head Office : 19-13 Takanawa 2-chome Minato-ku  
Tokyo 108-8586, Japan  
Phone : +81 (0)3-3448-5850  
Fax : +81 (0)3-3447-7637  
E-mail : ntt@ikonet.co.jp  
URL : http://www.ikont.co.jp/eg  
Plant : Gifu, Kamakura

### IKO INTERNATIONAL, INC. (U.S.A.)

#### East Coast Operations (Sales Head Office)

91 Walsh Drive  
Parsippany, NJ 07054  
U.S.A.  
Phone : +1 973-402-0254  
Toll Free : 1-800-922-0337  
Fax : +1 973-402-0441  
E-mail : eco@ikonet.co.jp

#### Midwest Operations

101 Mark Street Unit G,  
Wood Dale, IL 60191  
U.S.A.  
Phone : +1 630-766-6464  
Toll Free : 1-800-323-6694  
Fax : +1 630-766-6869  
E-mail : mwo@ikonet.co.jp

#### Minnesota Sales Office

1500 McAndrews Road West, Suite 210  
Burnsville, MN 55337  
U.S.A.  
Phone : +1 952-892-8415  
Toll Free : 1-800-323-6694  
Fax : +1 952-892-1722  
E-mail : mwo@ikonet.co.jp

#### West Coast Operations

9830 Norwalk Boulevard, Suite 198  
Santa Fe Springs, CA 90670  
U.S.A.  
Phone : +1 562-941-1019  
Toll Free : 1-800-252-3665  
Fax : +1 562-941-4027  
E-mail : wco@ikonet.co.jp

#### Silicon Valley Sales Office

1500 Wyatt Drive, Suite 10  
Santa Clara, CA 95054  
U.S.A.  
Phone : +1 408-492-0240  
Toll Free : 1-800-252-3665  
Fax : +1 408-492-0245  
E-mail : wco@ikonet.co.jp

#### Southeast Operations

2150 Boggs Road, Suite 100  
Duluth, GA 30096  
U.S.A.  
Phone : +1 770-418-1904  
Toll Free : 1-800-874-6445  
Fax : +1 770-418-9403  
E-mail : seo@ikonet.co.jp

#### Southwest Operations

8105 N. Beltline Road, Suite 130  
Irving, TX 75063  
U.S.A.  
Phone : +1 972-929-1515  
Toll Free : 1-800-295-7886  
Fax : +1 972-915-0060  
E-mail : swo@ikonet.co.jp

### IKO THOMPSON BEARINGS CANADA, INC.(CANADA)

731-2425 Matheson Boulevard East 7th floor  
Mississauga, Ontario L4W 5K4, Canada  
Phone : +1 905-361-2872  
Fax : +1 905-361-6401  
E-mail : itc@ikonet.co.jp

### IKO THOMPSON BRAZIL SERVICE CO.,LTD. (BRAZIL)

Av.Paulista, 854 10th floor, Top Center,  
01310-100, Sao Paulo, SP, Brazil  
Phone : +55 (0)11-2186-0221  
Fax : +55 (0)11-2186-0299  
E-mail : itb@ikonet.co.jp

### NIPPON THOMPSON EUROPE B.V. (EUROPE)

#### The Netherlands (Sales Head Office)

Sheffieldstraat 35-39  
3047 AN Rotterdam  
The Netherlands  
Phone : +31 (0)10-462 68 68  
Fax : +31 (0)10-462 60 99  
E-mail : nte@ikonet.co.jp

#### Germany Branch

Mündelheimer Weg 54  
40472 Düsseldorf  
Germany  
Phone : +49 (0)211-41 40 61  
Fax : +49 (0)211-42 76 93  
E-mail : ntd@ikonet.co.jp

#### Regensburg Sales Office

Im Gewerbepark D 30  
93059 Regensburg  
Germany  
Phone : +49 (0)941-20 60 70  
Fax : +49 (0)941-20 60 719  
E-mail : ntdr@iko-nt.de

#### Neunkirchen Sales Office

Gruben Str. 95c  
66540 Neunkirchen  
Germany  
Phone : +49 (0)6821-99 98 60  
Fax : +49 (0)6821-99 98 626  
E-mail : ntdn@iko-nt.de

#### U.K. Branch

2 Vincent Avenue, Crownhill  
Milton Keynes, Bucks, MK8 0AB  
United Kingdom  
Phone : +44 (0)1908-566144  
Fax : +44 (0)1908-565458  
E-mail : sales@iko.co.uk

#### Spain Branch

Autovia Madrid-Barcelona, Km. 43,700  
Polig. Ind. AIDA - Nove A-8, Ofic. 2-1<sup>a</sup>  
19200 Azuqueca de Henares  
(Guadalajara) Spain  
Phone : +34 949-26 33 90  
Fax : +34 949-26 31 13  
E-mail : nts@ikonet.co.jp

#### France Branch

Roissypole Le Dôme  
2 rue de La Haye  
BP 15950 Tremblay en France  
95733 Roissy C. D. G. Cedex  
France  
Phone : +33 (0)1-48 16 57 39  
Fax : +33 (0)1-48 16 57 46  
E-mail : contact@iko-france.com

### IKO THOMPSON KOREA CO.,LTD. (KOREA)

2F, 111, Yeouigongwon-ro,  
Yeongdeungpo-gu, Seoul, Korea  
Phone : +82 (0)2-6337-5851  
Fax : +82 (0)2-6337-5852  
E-mail : itk@ikonet.co.jp

### IKO THOMPSON ASIA CO., LTD. (THAILAND)

1-7 Zuellig House, 3rd Floor  
Silom Road, Silom, Bangrak  
Bangkok 10500, Thailand  
Phone : +66 (0)2-637-5115  
Fax : +66 (0)2-637-5116  
E-mail : ita@ikonet.co.jp

### IKO-THOMPSON (SHANGHAI) LTD. (CHINA)

#### Shanghai (Sales Head Office)

1608-10 MetroPlaza No.555 LouShanGuan  
Road  
ChangNing District Shanghai  
People's Republic of China 200051  
Phone : +86 (0)21-3250-5525  
Fax : +86 (0)21-3250-5526  
E-mail : ntc@ikonet.co.jp

#### Beijing Branch

Room1506, Jingtai Tower,  
NO.24,Jiangumenwai Avenue,  
Chaoyang District, Beijing People's Republic of  
China 100022  
Phone : +86 (0)10-6515-7681  
Fax : +86 (0)10-6515-7681\*106  
E-mail : ntc@ikonet.co.jp

#### Guangzhou Branch

Room 834, Garden Tower, Garden Hotel  
368 Huanshi East Road, Yuexiu District,  
Guangzhou, Guangdong  
People's Republic of China 510064  
Phone : +86 (0)20-8384-0797  
Fax : +86 (0)20-8381-2863  
E-mail : ntc@ikonet.co.jp

#### Wuhan Branch

Room 2300, Truroll Plaza No.72 Wusheng  
Road, Qiao kou District, Wuhan, Hubei  
People's Republic of China 430033  
Phone : +86 (0)27-8556-1610  
Fax : +86 (0)27-8556-1630  
E-mail : ntc@ikonet.co.jp

#### Shenzhen Office

Room 420, Oriental Plaza,  
1072 Jianshe Road, Luohu District,  
Shenzhen, Guangdong  
People's Republic of China 518001  
Phone : +86 (0)755-2265-5553  
Fax : +86 (0)755-2298-0665  
E-mail : ntc@ikonet.co.jp

#### Ningbo Office

Room 3406, Zhongnongxin Building, No.181  
Zhongshan East Road, Haishu Ward, Ningbo,  
Zhejiang  
People's Republic of China 315000  
Phone : +86 (0)574-8718-9535  
Fax : +86 (0)574-8718-9533  
E-mail : ntc@ikonet.co.jp

#### Qingdao Office

2107 Block A, World Trade Center Building,  
No.230  
Changjiang Middle Road, Development Zone  
Qingdao  
People's Republic of China 266555  
Phone : +86 (0)532-8670-2246  
Fax : +86 (0)532-8670-2242  
E-mail : ntc@ikonet.co.jp

#### Shenyang Office

2-1203 Tower I, City Plaza Shenyang, No.206  
Nanjing North Street Heping District,  
Shenyang  
People's Republic of China 110001  
Phone : +86 (0)24-2334-2662  
Fax : +86 (0)24-2334-2442  
E-mail : ntc@ikonet.co.jp

# IKO's New CRBHV / CRBFV Models of High Rigidity Crossed Roller Bearings!

Quick delivery and affordable cost Crossed Roller Bearings are now available from **IKO**.



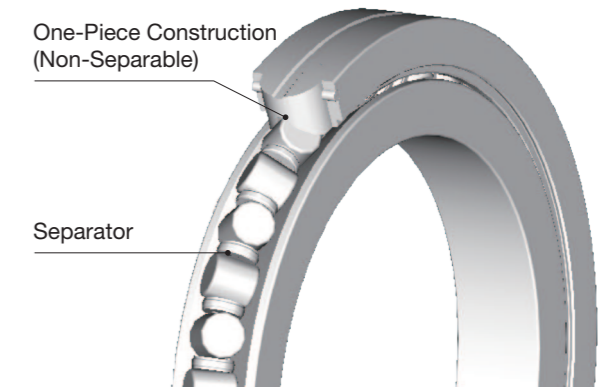
## CRBHV / CRBFV Features

### ■ High Rigidity / High Accuracy

Both inner and outer rings have solid one-piece construction that minimizes mounting errors and allows these bearings to easily achieve high rigidity and high accuracy.

Separators incorporated between the cylindrical rollers allow for smooth rotation, and making them suitable for applications with comparatively high rotational speed.

One-Piece Construction  
(Non-Separable)



### ■ Quick Delivery / Very Affordable

CRBHV/CRBFV are manufactured at a dedicated site. This newly developed site allowed us to shorten lead-times and reduce production cost by making improvements to the whole processes from design to manufacturing. With our continued efforts to support our customers, we now offer these bearings with excellent cost value. This product will contribute to cost reductions and shorter production lead time when integrated into various machines we incorporate.

### ■ Special models for your applications

We offer Crossed Roller Bearings with individual specifications customized to our customers' usages and or applications. We have abundant manufacturing experience of special specification products so if you have any requirement for a special product application, please contact **IKO**.

### **IKO** Crossed Roller Bearings

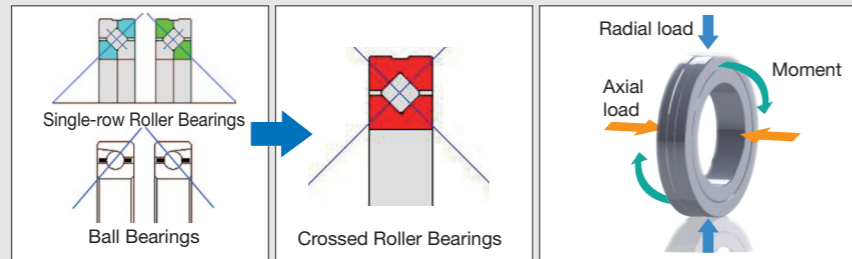
**IKO** Crossed Roller Bearings are compact bearings with their rollers alternately crossed at right angles to each other between an inner and outer ring. This allows them to sustain loads such as radial, thrust and moment from any direction at the same time. The rollers make line-contact with raceway surfaces, thus elastic deformation due to bearing loads is very small.

# IKO Crossed Roller Bearing advantages.

**IKO** Crossed Roller Bearings are high performance bearings with a variety of characteristics not seen in other bearings.

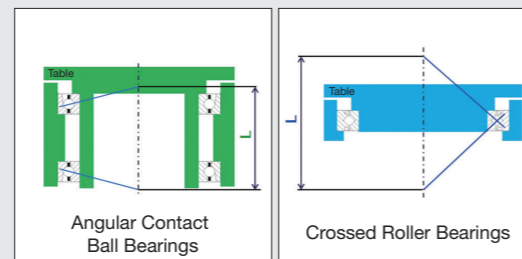
## Compact

The orthogonal array of rollers makes it possible to simultaneously receive complex loads from various directions with just a single bearing. When compared to opposed mounting single row roller or ball bearings, the contact area can be reduced thus contributing to compactness and space-saving equipment.

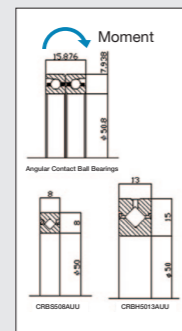
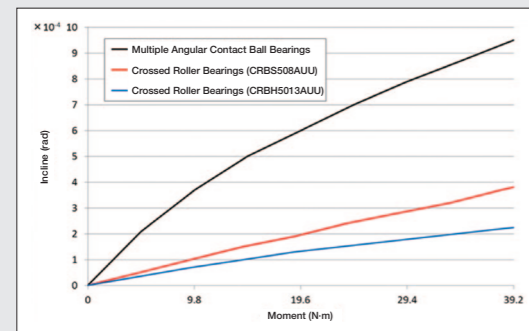


## High Rigidity

The figure at right is a cross-section of a rotating turntable. The application point distance from the time a moment load applied to the turntable is L, and the allowable moment load of the bearing is proportional to application point distance L. If increasing application point distance L to increase the moment rigidity of the turntable, two Angular Contact Ball Bearings are required. Because of the need for distance between the bearings, the equipment size increases as well. However, even a single Crossed Roller Bearing can increase application point distance L, keeping equipment compact and improving moment rigidity.

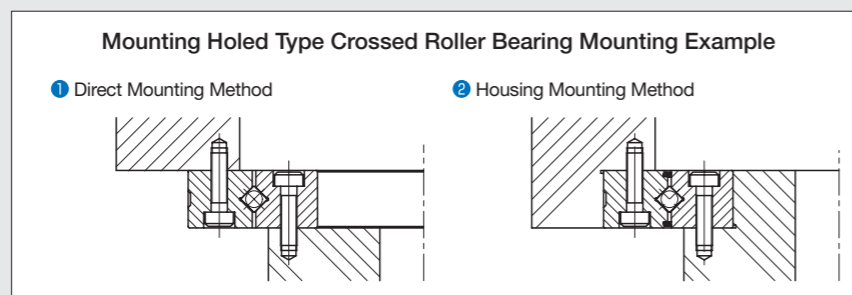


Because of the line contact structure of Crossed Roller Bearings, when using rollers for the bearing inner rolling elements, rigidity is greatly improved compared to ball type bearings. For example, rigidity is increased 3 to 4 times while achieving more compact cross-section dimensions compared to a double row Angular Contact Ball Bearing.



## Easy Mounting

Mounting Holed Type High Rigidity Crossed Roller Bearings feature mounting holes to allow direct mounting to the mounting surface without requiring the use of a housing or pressure plate as with conventional Crossed Roller Bearings. It is recommended to use a housing for applications with large loads or moments.



## Quality

Many years of experience with roller type bearings allows **IKO** the ability to produce highly accurate Crossed Roller Bearings due to our manufacturing know-how and rigorous quality standards.



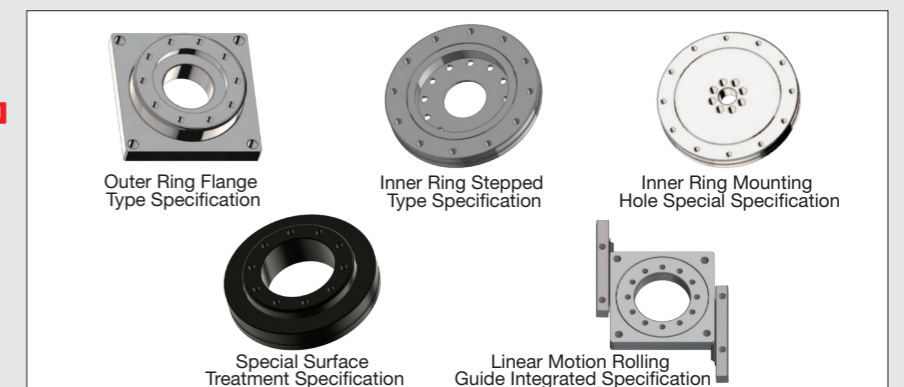
## Diversity

**IKO** Crossed Roller Bearings are available in a wide variety of types. For machine tools, large robots, medical, and general industrial equipment, optimal types are CRBH/CRBHV, with its inner and outer ring combined integral structure, and CRB/CRBC, with outer rings split in two in the axial direction. For electric and electronic automated equipment such as small/medium robotic joints or semiconductors, the Slime Type CRBS with its small cross-sectional dimension works best. For even smaller precision equipment, the Super Slim Type CRBT is optimal with its minimized cross-sectional area. The high rigidity CRBF/CRBFV is also available, with mounting holes to simplify the mating with the housing structure.



## Flexibility

**IKO**'s unique flexibility and diverse production allows us to offer customized Crossed Roller Bearings to fit the customers' applications. **IKO** has a sound record of producing a wide variety of special products with non-standard shapes, sizes, surface treatments and other unique features. Please contact **IKO** when your application requires certain special features that are not on our stock products.



# IKO Crossed Roller Bearings application examples.

High performance and compact **IKO** Crossed Roller Bearings had been integrated into various machines and devices, resulting in improved efficiency, reliability and compactness. Here are some great examples of Crossed Roller Bearings in action:

### Robot

Increasingly a number of customers are switching out conventional ball bearings with **IKO** Crossed Roller Bearings on their robots in order to reduce size and weight.

■ Pick-up robot

Structure	Horizontal articulation
Location used	Joint swivel part

■ Androids

Structure	Android Robots
Location used	Joints

■ Welding robot

Structure	Vertical articulation
Location used	Swivel Joints, Gearboxes

### Medical equipment

Many various of **IKO** Crossed Roller Bearings, including those with special specifications, are available for applications requiring smooth operation with high rotational accuracy. Some are designed to be used in environments where rust prevention oil is not allowed or in medical equipment.

■ X-Ray Diagnostic Equipment

Structure	C-Type Arm Operation
Location used	X-Ray Detector Rotors

### Motor

High Rotational Accuracy **IKO** Crossed Roller Bearings also have a proven track record for use on Theta-Axis Rotary Drive units. A key attribute is **IKO**'s ability and flexibility to accommodate special shapes such as flanges and steps.

■ DD Motor

Structure	Direct Drive Motor
Location used	Output Shaft

### Machine tools

Bearings supporting rotation often need minimal deflection even when operating in tough environments. High Rigidity **IKO** Crossed Roller Bearings provide minimal deflection and are especially suited for use in machine tools.

■ Machine Tool Tables

Structure	NC Lathes
Location used	Table Rotating Parts

### Windmills

Bearings in windmills are forced to work in harsh environments. They need to stand up to moment loads caused by the wind as well as high rotational speed. It is in the harsh environments that **IKO** Crossed Roller Bearings show their true potential.

■ Power Generating Windmills

Structure	Compact Wind Generator
Location used	Systems Swivel Parts

# Capabilities of Crossed Roller Bearings proposed by **IKO**.

**IKO** Crossed Roller Bearings are ideally suited for robotics, so **IKO** proposes using them in the following applications:

### Marine Antenna

Marine antennas are constantly battered by strong winds. The support for these antennas require bearings that are very rigid to be able to stand up to these winds. **IKO** High Rigidity Crossed Roller Bearings are ideal for this application.

■ Marine Antenna

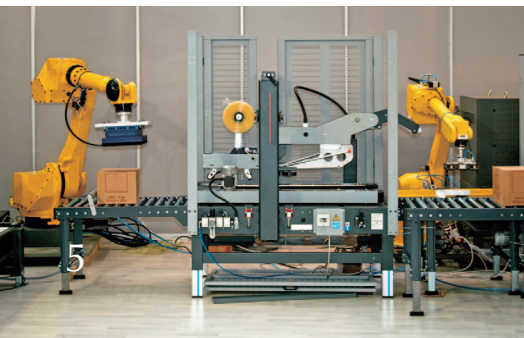
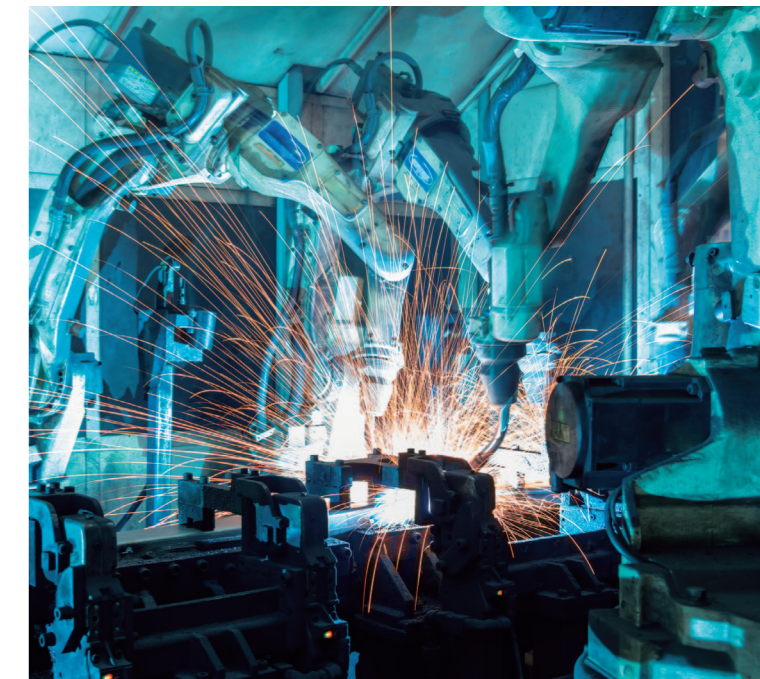
Structure	Marine Parabola Antenna
Location used	Base swivel part

### Security Camera

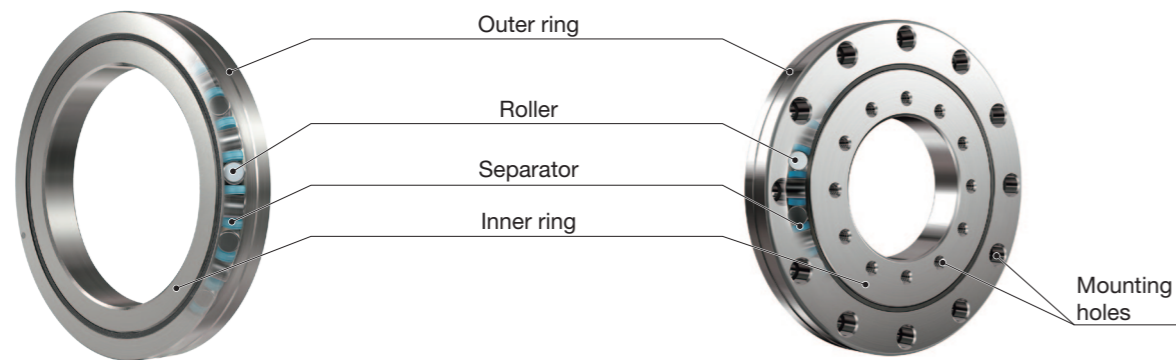
Security cameras move horizontally and vertically nonstop all year round. Extreme reliability is required for this continuous compound operation. **IKO** Crossed Roller Bearings can receive complex loads from multiple directions, making them ideal for use in security cameras.

■ Security Cameras

Structure	Movable Security Cameras
Location used	Camera Drive Parts



# CRBHV / CRBFV Structure



## CRBHV

Variation				
Size	Shaft dia. 30-250 mm <sup>(1)</sup>			
Seal	Yes		None	
Clearance	T1 (Preload)	C1 (Slight)	C2 (Medium)	No symbol (Normal)
	Accuracy class	Class 0	P6 RP6	P5 RP5
Accuracy	→ High			

Notes <sup>(1)</sup> Sizes with a shaft diameter greater than 120mm are scheduled to be produced starting December 2016.

## CRBFV

Variation				
Size	Shaft dia. 35-115 mm <sup>(1)</sup>			
Seal	Yes		None	
Clearance	T1 (Preload)	C1 (Slight)	C2 (Medium)	No symbol (Normal)
	Accuracy class	Class 0	P6 RP6	P5 RP5
Accuracy	→ High			

Notes <sup>(1)</sup> Sizes with a shaft diameter greater than 80mm are scheduled to be produced starting December 2016.

## Identification number

The identification number of Crossed Roller Bearings consists of a model code, dimensions, any supplemental codes and a classification symbol. Examples are shown below.

**Example** → **CRBFV 35 15 A T UU C1 RP6**

Model code	
<b>CRBHV...A</b>	High Rigidity Type Crossed Roller Bearing V (With separator)
<b>CRBFV...A</b>	Mounting Holed High Rigidity Type Crossed Roller Bearing V (With separator)
Dimensions	
	The dimension indicates the bore diameter of the bearing. (unit: mm)
	The dimension indicates the bearing width. (unit: mm)
Supplemental code - 1 <sup>(1)</sup>	
<b>T</b>	With female threaded mounting holes on the inner ring
No symbol	With counter-bored mounting holes on both inner ring and outer ring in the same direction.
<b>D</b>	With counter-bored mounting holes on both inner ring and outer ring in the opposite direction.
Note <sup>(1)</sup> Applicable only to CRBFV.	
Supplemental code - 2	
No symbol	Open type
<b>UU</b>	Sealed Type
<b>U</b>	One Side Sealed Type <sup>(2)</sup>
<b>UJ</b>	One side sealed in the opposite direction to counter bored mounting holes on outer ring
Note <sup>(2)</sup> For CRBFV...A, sealed at the side with counter bored mounting holes of outer ring.	
Supplemental code - 3	
<b>T1</b>	T1 clearance
<b>C1</b>	C1 clearance
<b>C2</b>	C2 clearance
Classification symbol	
No symbol	Accuracy class 0
<b>P6</b>	Accuracy class 6
<b>P5</b>	Accuracy class 5
<b>P4</b>	Accuracy class 4
<b>P2</b>	Accuracy class 2
<b>RP6</b>	Rotation accuracy class 6
<b>RP5</b>	Rotation accuracy class 5
<b>RP4</b>	Rotation accuracy class 4
<b>RP2</b>	Rotation accuracy class 2

Rotational accuracy class ... classes specifying accuracy standards for only rotational accuracy (radial runout / axial runout)

## Accuracy

### CRBHV Accuracy

Table 1 Tolerance and allowance of inner ring

unit: [ $\mu$ m]

<i>d</i> Nominal bore diameter mm	Exceeding Incl.	$\Delta d_{mp}$ Deviation of mean bore diameter in a single plane								$\Delta B_s, \Delta C_s$ Width of Inner/Outer Rings		<i>Kia</i> Radial runout					<i>Sia</i> Axial runout				
		Class 0 RP6 to RP2		P6		P5		P4, P2		Class 0	P6	P5	P4	P2	Class 0	P6	P5	P4	P2		
		High	Low	High	Low	High	Low	High	Low											Maximum	Maximum
18	30	0	-10	0	-8	0	-6	0	-5	0	-75	13	8	4	3	2.5	13	8	4	3	2.5
30	50	0	-12	0	-10	0	-8	0	-6	0	-75	15	10	5	4	2.5	15	10	5	4	2.5
50	80	0	-15	0	-12	0	-9	0	-7	0	-75	20	10	5	4	2.5	20	10	5	4	2.5
80	120	0	-20	0	-15	0	-10	0	-8	0	-75	25	13	6	5	2.5	25	13	6	5	2.5
120	150	0	-25	0	-18	0	-13	0	-10	0	-100	30	18	8	6	2.5	30	18	8	6	2.5
150	180	0	-25	0	-18	0	-13	0	-10	0	-100	30	18	8	6	5	30	18	8	6	5
180	250	0	-30	0	-22	0	-15	0	-12	0	-100	40	20	10	8	5	40	20	10	8	5

Table 2 Tolerance and allowance of outer ring

unit: [ $\mu$ m]

<i>D</i> Nominal outside diameter mm	Exceeding Incl.	$\Delta D_{mp}$ Deviation of mean outside diameter in a single plane								<i>Kea</i> Radial runout					<i>Sea</i> Axial runout				
		Class 0 RP6 to RP2		P6		P5		P4, P2		Class 0	P6	P5	P4	P2	Class 0	P6	P5	P4	P2
		High	Low	High	Low	High	Low	High	Low										
30	50	0	-11	0	-9	0	-7	0	-6	20	10	7	5	2.5	20	10	7	5	2.5
50	80	0	-13	0	-11	0	-9	0	-7	25	13	8	5	4	25	13	8	5	4
80	120	0	-15	0	-13	0	-10	0	-8	35	18	10	6	5	35	18	10	6	5
120	150	0	-18	0	-15	0	-11	0	-9	40	20	11	7	5	40	20	11	7	5
150	180	0	-25	0	-18	0	-13	0	-10	45	23	13	8	5	45	23	13	8	5
180	250	0	-30	0	-20	0	-15	0	-11	50	25	15	10	7	50	25	15	10	7
250	315	0	-35	0	-25	0	-18	0	-13	60	30	18	11	7	60	30	18	11	7

### CRBFV Accuracy

Table 3 Tolerance and allowance of inner ring

unit: [ $\mu$ m]

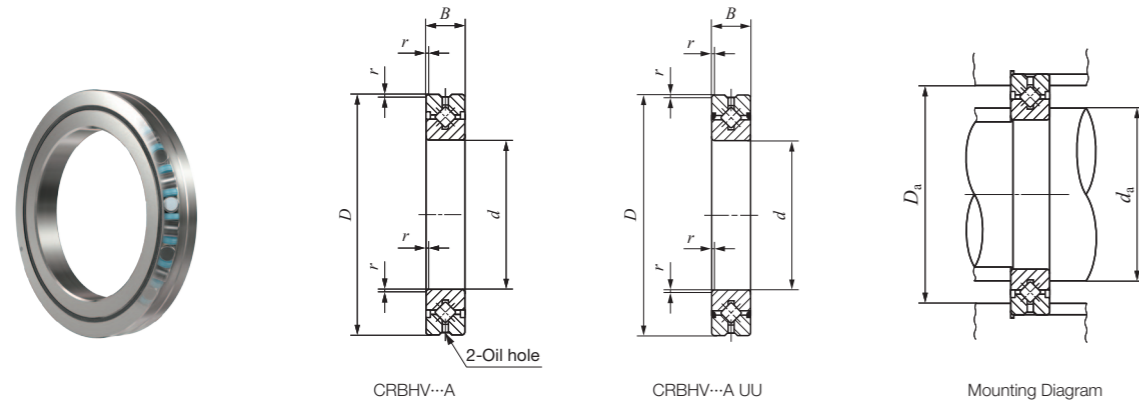
<i>d</i> Nominal bore diameter mm	Exceeding Incl.	$\Delta d_{mp}$ Deviation of mean bore diameter in a single plane								$\Delta B_s$ Deviation of a single inner ring width	<i>Kia</i> Radial runout					<i>Sia</i> Axial runout					
		Class 0 RP6 to RP2		P6		P5		P4, P2			Class 0	P6	P5	P4	P2	Class 0	P6	P5	P4	P2	
		High	Low	High	Low	High	Low	High	Low												Maximum
30	35	0	-12	0	-10	0	-8	0	-6	0	-75	15	10	5	4	2.5	15	10	5	4	2.5
35	50	0	-12	0	-10	0	-8	0	-6	0	-75	20	10	5	4	2.5	20	10	5	4	2.5
50	65	0	-15	0	-12	0	-9	0	-7	0	-75	20	10	5	4	2.5	20	10	5	4	2.5
65	80	0	-15	0	-12	0	-9	0	-7	0	-75	25	13	6	5	2.5	25	13	6	5	2.5
80	100	0	-20	0	-15	0	-10	0	-8	0	-75	25	13	6	5	2.5	25	13	6	5	2.5
100	120	0	-20	0	-15	0	-10	0	-8	0	-75	30	18	8	6	2.5	30	18	8	6	2.5

Table 4 Tolerance and allowance of outer ring

unit: [ $\mu$ m]

<i>D</i> Nominal outside diameter mm	Exceeding Incl.	$\Delta D_{mp}$ Deviation of mean outside diameter in a single plane								$\Delta C_s$ Deviation of a single outer ring width	<i>Kea</i> Radial runout					<i>Sea</i> Axial runout					
		Class 0 RP6 to RP2		P6		P5		P4, P2			Class 0	P6	P5	P4	P2	Class 0	P6	P5	P4	P2	
		High	Low	High	Low	High	Low	High	Low												Maximum
80	95	0	-15	0	-13	0	-10	0	-8	0	-75	25	13	8	5	4	25	13	8	5	4
95	120	0	-15	0	-13	0	-10	0	-8	0	-75	35	18	10	6	5	35	18	10	6	5
120	140	0	-18	0	-15	0	-11	0	-9	0	-75	35	18	10	6	5	35	18	10	6	5
140	150	0	-18	0	-15	0	-11	0	-9	0	-75	40	20	11	7	5	40	20	11	7	5
150	165	0	-25	0	-18	0	-13	0	-10	0	-75	40	20	11	7	5	40	20	11	7	5
165	180	0	-25	0	-18	0	-13	0	-10	0	-75	45	23	13	8	5	45	23	13	8	5
180	210	0	-30	0	-20	0	-15	0	-11	0	-75	45	23	13	8	5	45	23	13	8	5
210	240	0	-30	0	-20	0	-15	0	-11	0	-75	50	25	15	10	7	50	25	15	10	7

# CRBHV Dimensions



Shaft diameter mm	Identification number		Mass (Ref.) kg	Boundary dimensions mm				Mounting related dimensions mm		Basic dynamic load rating C N	Basic static load rating C <sub>0</sub> N
	Open Type	Sealed Type		d	D	B	<sup>(1)</sup> r <sub>min</sub>	d <sub>a</sub>	D <sub>a</sub>		
30	CRBHV 3010 A	CRBHV 3010 A UU	0.12	30	55	10	0.3	36.5	48.5	7 600	8 370
35	CRBHV 3510 A	CRBHV 3510 A UU	0.13	35	60	10	0.3	41.5	53.5	7 900	9 130
40	CRBHV 4010 A	CRBHV 4010 A UU	0.15	40	65	10	0.3	46.5	58.5	8 610	10 600
45	CRBHV 4510 A	CRBHV 4510 A UU	0.16	45	70	10	0.3	51.5	63.5	8 860	11 300
50	CRBHV 5013 A	CRBHV 5013 A UU	0.29	50	80	13	0.6	56	74	17 300	20 900
60	CRBHV 6013 A	CRBHV 6013 A UU	0.33	60	90	13	0.6	66	84	18 800	24 300
70	CRBHV 7013 A	CRBHV 7013 A UU	0.38	70	100	13	0.6	76	94	20 100	27 700
80	CRBHV 8016 A	CRBHV 8016 A UU	0.74	80	120	16	0.6	88	112	32 100	43 400
90	CRBHV 9016 A	CRBHV 9016 A UU	0.81	90	130	16	0.6	98	122	33 100	46 800
100	CRBHV 10020 A	CRBHV 10020 A UU	1.45	100	150	20	0.6	110	140	50 900	72 200
110	CRBHV 11020 A	CRBHV 11020 A UU	1.56	110	160	20	0.6	120	150	52 400	77 400
120	CRBHV 12025 A	CRBHV 12025 A UU	2.62	120	180	25	1	132	168	73 400	108 000
130	CRBHV 13025 A	CRBHV 13025 A UU	2.82	130	190	25	1	142	178	75 900	115 000
140	CRBHV 14025 A	CRBHV 14025 A UU	2.96	140	200	25	1	152	188	81 900	130 000
150	CRBHV 15025 A	CRBHV 15025 A UU	3.16	150	210	25	1	162	198	84 300	138 000
200	CRBHV 20025 A	CRBHV 20025 A UU	4.0	200	260	25	1	212	248	92 300	169 000
250	CRBHV 25025 A	CRBHV 25025 A UU	4.97	250	310	25	1.5	262	298	102 000	207 000

Notes <sup>(1)</sup> Minimum allowable single value of chamfer dimension r

Starting December 2016

## Lubrication

These bearings are generally lubricated with grease. Grease is supplied by applying a grease gun nozzle to various locations on the periphery of the clearance between the inner ring and the outer ring. Grease is packed into sealed types (UU) only. ALVANIA GREASE EP2 (SHOWA SHELL SEKIYU K.K) is prepacked as the lubrication grease.

For bearings without prepacked grease, supply grease or oil before use. Operating without lubrication will increase the wear on the rolling contact surfaces and lead to short bearing life. For the sealed type, be careful with pressure when applying grease so that the seals do not come off. When using a special grease, carefully examine the grease properties and contents such as base oil viscosity and extreme pressure additives. In this case, please contact **IKO**.

## Oil groove

For Crossed Roller Bearings, oil holes and oil grooves can be provided on bearing rings on request. When an oil hole is required on the outer ring, attach "-OH" before the clearance symbol in the identification number. When an oil hole and an oil groove are required on the outer ring, attach "-OG" at the same place in the identification number.

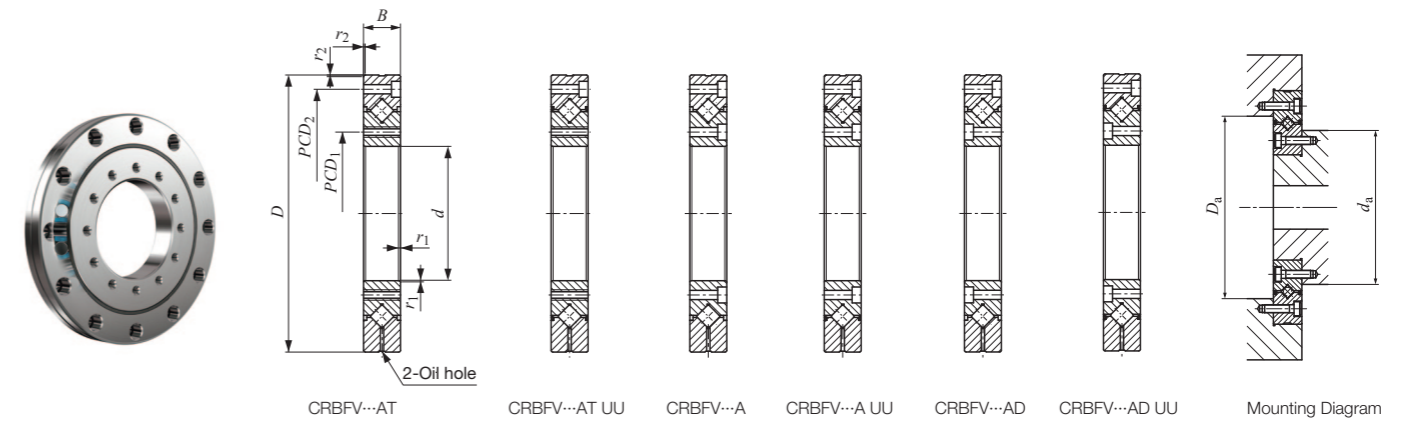
For an oil hole on the inner ring, attach "/OH", and for an oil hole and an oil groove on the inner ring, attach "/OG", at the same place in the identification number. CRBHV and CRBFV have an oil groove and two oil holes on the outer ring as standard. The table below shows availability of oil holes for each bearing type.

Table 5 Oil Hole Availability

Model code	Oil hole code			
	/ nOH	/ nOG	-nOH	-nOG
CRBHV...A	○	○	-	-
CRBFV...A	-	-	-	-

Remarks n denotes the number of oil holes not exceeding 4. For one oil hole, number is not indicated. When preparing multiple oil holes, please contact **IKO**.

# CRBFV Dimensions



Shaft diameter mm	Identification number		Mass (Ref.) kg	Boundary dimensions mm						Mounting hole related mm		Mounting related dimensions mm		Basic dynamic load rating C N	Basic static load rating C <sub>0</sub> N	
	Open Type	Sealed Type		d	D	B	<sup>(1)</sup> r <sub>1min</sub>	<sup>(1)</sup> r <sub>2min</sub>	PCD <sub>1</sub>	Inner Ring Mounting Hole	PCD <sub>2</sub>	Outer Ring Mounting Hole	d <sub>a</sub>			D <sub>a</sub>
35	CRBFV 3515 AT	CRBFV 3515 AT UU	0.66	35	95	15	0.6	0.6	45	8-M4 through	83	8-φ4.5 through φ8 counter bore depth 4.4	56	74	17 300	20 900
55	CRBFV 5515 AT	CRBFV 5515 AT UU	0.96	55	120	15	0.6	0.6	65	8-M5 through	105	8-φ5.5 through φ9.5 counter bore depth 5.4	76	94	20 100	27 700
80	CRBFV 8022 AT	CRBFV 8022 AT UU	2.63	80	165	22	0.6	1	97	10-M5 through	148	10-φ5.5 through φ9.5 counter bore Depth 5.4	107	137	51 100	72 000
80	CRBFV 8022 A	CRBFV 8022 A UU	2.60							10-φ5.5 through φ9.5 counter bore Depth 5.4						
80	CRBFV 8022 AD	CRBFV 8022 AD UU	2.60							10-φ5.5 through φ9.5 counter bore Depth 5.4						
90	CRBFV 9025 AT	CRBFV 9025 AT UU	4.83	90	210	25	1.5	1.5	112	12-M8 through	187	12-φ9 through φ14 counter bore Depth 12	132	168	73 400	108 000
90	CRBFV 9025 A	CRBFV 9025 A UU	4.67							12-φ9 through φ14 counter bore Depth 12						
90	CRBFV 9025 AD	CRBFV 9025 AD UU	4.67							12-φ9 through φ14 counter bore Depth 12						
115	CRBFV 11528 AT	CRBFV 11528 AT UU	6.81	115	240	28	1.5	1.5	139	12-M8 through	217	12-φ9 through φ14 counter bore Depth 13.5	162	198	84 300	138 000
115	CRBFV 11528 A	CRBFV 11528 A UU	6.63							12-φ9 through φ14 counter bore Depth 13.5						
115	CRBFV 11528 AD	CRBFV 11528 AD UU	6.63							12-φ9 through φ14 counter bore Depth 13.5						

Notes <sup>(1)</sup> Minimum allowable single value of chamfer dimension r

Starting December 2016

## Allowable rotational speed

The allowable rotational speed of CRBHV / CRBFV is affected by mounting and operating conditions. The table below can be used as a guide for d<sub>m</sub>n under general operating conditions.

Table 6 Crossed Roller Bearings d<sub>m</sub>n Values <sup>(1)</sup>

Model of bearing	Lubrication	
	Grease lubrication	Oil lubrication
Open type	75 000	150 000
Sealed Type	60 000	-

Notes <sup>(1)</sup> d<sub>m</sub>n vale = d<sub>m</sub> × n  
Here, d<sub>m</sub>: Mean value of bearing bore and outside diameters, mm  
n: Rotational speed, min<sup>-1</sup>

## Operating Temperature Range

The permissible temperature range of CRBHV / CRBFV is -20 ~ +110°C. However, for continuous use, keep the temperature at 100°C or below.