

IKO

Innovation, Know-how & Originality

Made in Japan With Competitive Pricing

CFKR

Double Hex Hole Cam Followers Now available in sizes 22 and 26

INA Comparison		Basic dynamic load rating C (N)	Basic Static load rating C ₀ (N)	INA Comparison		Basic dynamic load rating C (N)	Basic Static load rating C ₀ (N)
IKO	CFKR 30	7910	9790	IKO	CFKR 62	30500	52600
INA	KR30	6800	8600	INA	KR62	26000	48000
IKO	CFKR 32	7910	9790	IKO	CFKR 72	30500	52600
INA	KR32	7100	9200	INA	KR72	28000	53000
IKO	CFKR 35	12000	18300	IKO	CFKR 80	45400	85100
INA	KR35	9700	14300	INA	KR80	38500	77000
IKO	CFKR 40	14800	25200	IKO	CFKR 85	45400	85100
INA	KR40	10900	15800	INA	-	-	-
IKO	CFKR 52	20700	34600	IKO	CFKR 90	45400	85100
INA	KR52	16600	29000	INA	KR90	40500	83000
IKO	CFKR 47	20700	34600				
INA	KR47	15400	26000				

NIPPON THOMPSON CO., LTD. (JAPAN)

Head Office : 19-13 Takanawa 2-chome Minato-ku
Tokyo 108-8586, Japan
Phone : +81 (0)3-3448-5850
Fax : +81 (0)3-3447-7637
E-mail : ntt@ikonet.co.jp
URL : <http://www.ikont.co.jp/eg>
Plant : Gifu, Kamakura

NIPPON THOMPSON EUROPE B.V. (EUROPE)

The Netherlands : Phone. 31-(10)462 68 68 Fax. 31-(10)462 60 99
Germany Branch : Phone. 49-(211)41 40 61 Fax. 49-(211)42 76 93
Regensburg Sales Office : Phone. 49-(941)20 60 70 Fax. 49-(941)20 60 719
Neunkirchen Sales Office : Phone. 49-(6821)99 98 60 Fax. 49-(6821)99 98 626
U.K. Branch : Phone. 44-(1908)5661 44 Fax. 44-(1908)565458
Spain Branch : Phone. 34-(949)26 33 90 Fax. 34-(949)26 31 13
France Branch : Phone. 33-(1)48 16 57 39 Fax. 33-(1)48 16 57 46

IKO INTERNATIONAL, INC. (U.S.A.)

<http://www.ikont.com>

East Coast Operations : Phone.1-(973)402-0254 Fax. 1-(973)402-0441
Midwest Operations : Phone.1-(630)766-6464 Fax. 1-(630)766-6869
Minnesota Sales Office : Phone.1-(952)892-8415 Fax. 1-(952)892-1722
West Coast Operations : Phone.1-(562)941-1019 Fax. 1-(562)941-4027
Silicon Valley Sales Office : Phone.1-(408)492-0240 Fax. 1-(408)492-0245
Southeast Operations : Phone.1-(770)418-1904 Fax. 1-(770)418-9403
Southwest Operations : Phone.1-(972)929-1515 Fax. 1-(972)915-0060

IKO-THOMPSON (SHANGHAI) LTD. (CHINA)

Shanghai (Sales Head Office) : Phone. 86-21-3250-5525 Fax. 86-21-3250-5526
Beijing Branch : Phone. 86-10-6515-7681 Fax. 86-10-6515-7681**106
Guangzhou Branch : Phone. 86-20-8384-0797 Fax. 86-20-8381-2863
Wuhan Branch : Phone. 86-27-8556-1610 Fax. 86-27-8556-1630
Shenzhen Office : Phone. 86-(755)-2265-0553 Fax. 86-(755)-2298-0665
Ningbo Office : Phone. 86-(574)8718-9535 Fax. 86-(574)8718-9533
Qingdao Office : Phone. 86-(532)8670-2246 Fax. 86-(532)8670-2242
Shenyang Office : Phone. 86-(24)2334-2662 Fax. 86-(24)2334-2442

IKO THOMPSON BEARINGS CANADA, INC.(CANADA)

: Phone. 1-(905)361-2872 Fax. 1-(905)361-6401

IKO THOMPSON KOREA CO.,LTD. (KOREA)

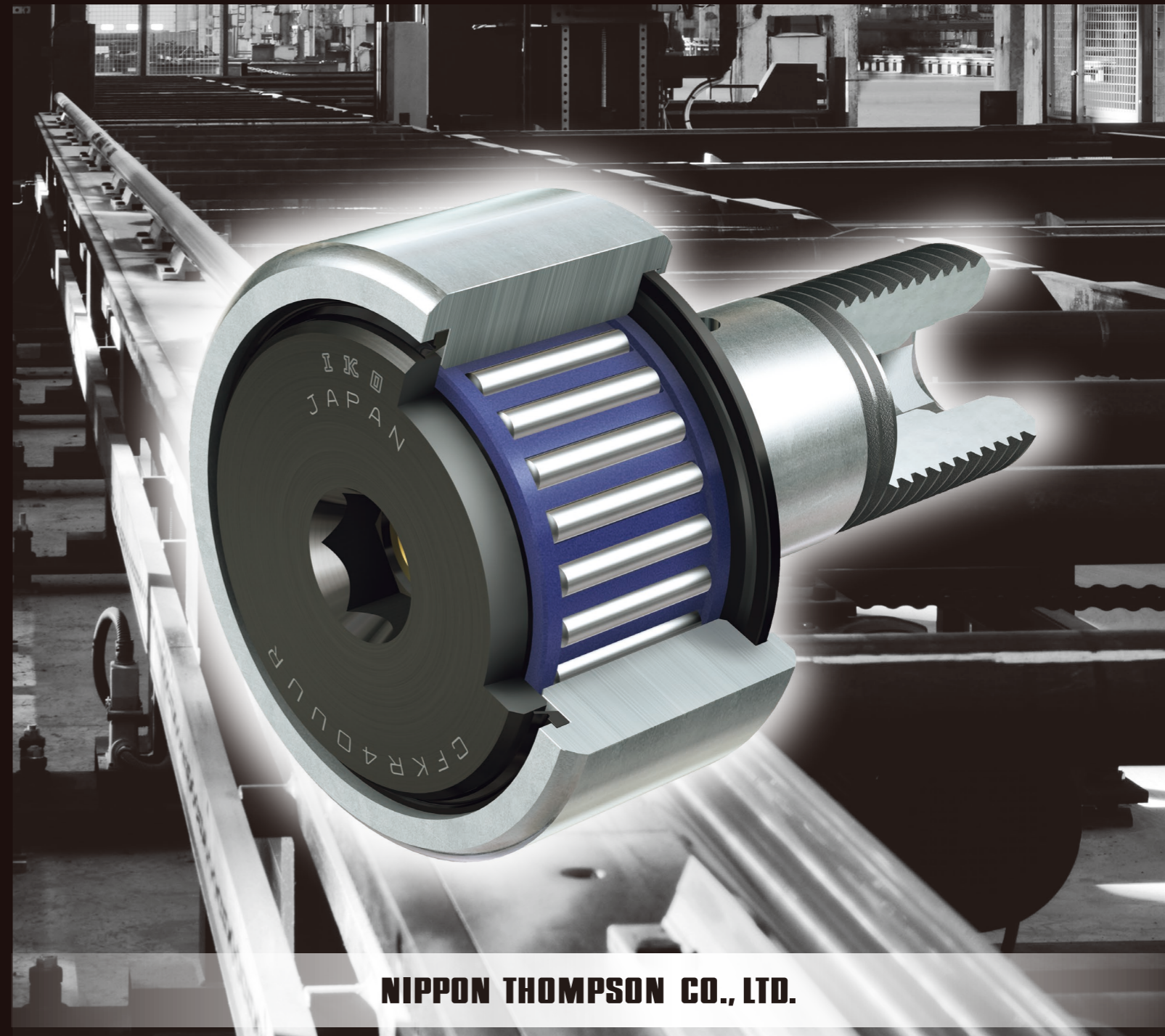
: Phone. 82-(0)2-6337-5851 Fax. 82-(0)2-6337-5852

IKO THOMPSON BRAZIL SERVICE CO.,LTD. (BRAZIL)

: Phone. 55-(11) 2186-0221 Fax. 55-(11)2186-0299

IKO THOMPSON ASIA CO., LTD. (THAILAND)

: Phone. 66-(2)637-5115 Fax. 66-(2)637-5116



NIPPON THOMPSON CO., LTD.

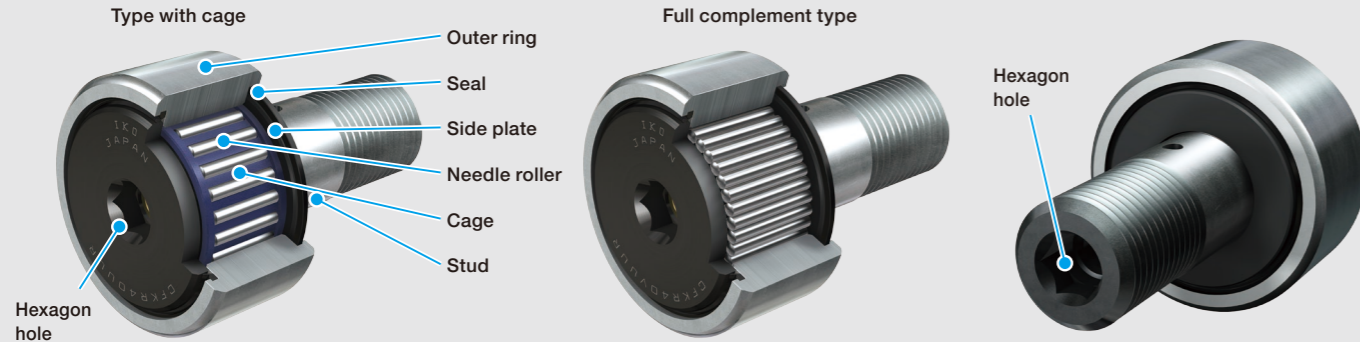
Oil Minimum
IKO Gentle to The Earth

<http://www.ikont.co.jp/eg/>

●The external appearance / specifications of this product can be modified for improvements without notices.
●When this product is to be exported, confirm the destination country, uses and consumers and take the necessary steps such as export permit applications if such objective requirements should apply.
●Although this catalog has been made to ensure the accuracy by our best effort, we shall not be responsible for any damage caused by such reasons as clerical errors and omitted letters.
●All rights reserved. Unauthorized copying prohibited.

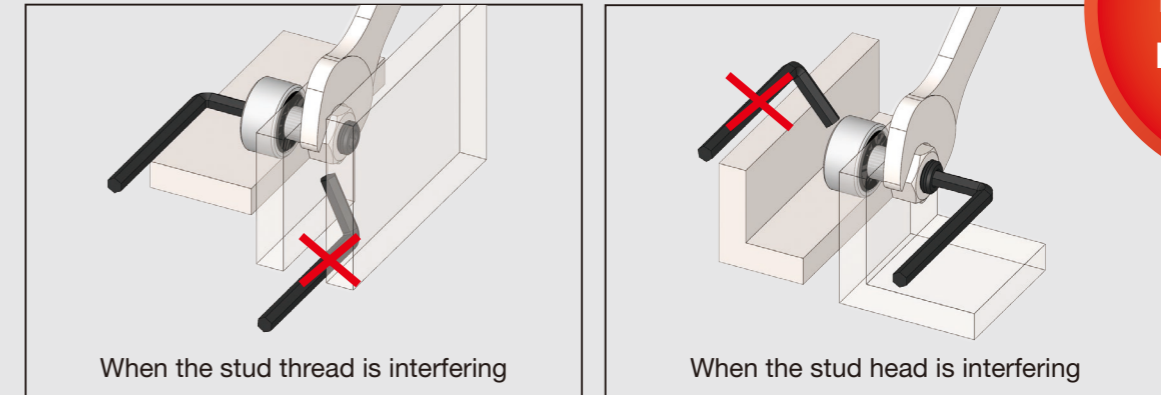
Structure of CFKR

Cam Followers are bearings with a stud incorporating needle rollers in a thick walled outer ring. These bearings are designed for outer ring rotation with superior rotational performance, a small coefficient of friction and high load capacity. Double Hex Hole Cam Followers have a structure with hexagon holes at each end of the stud, allowing for use in any mounting location.



Features

With hexagon hole on both stud ends
The sockets with hexagon hole on both stud ends allow mounting with a hexagon wrench from either side.



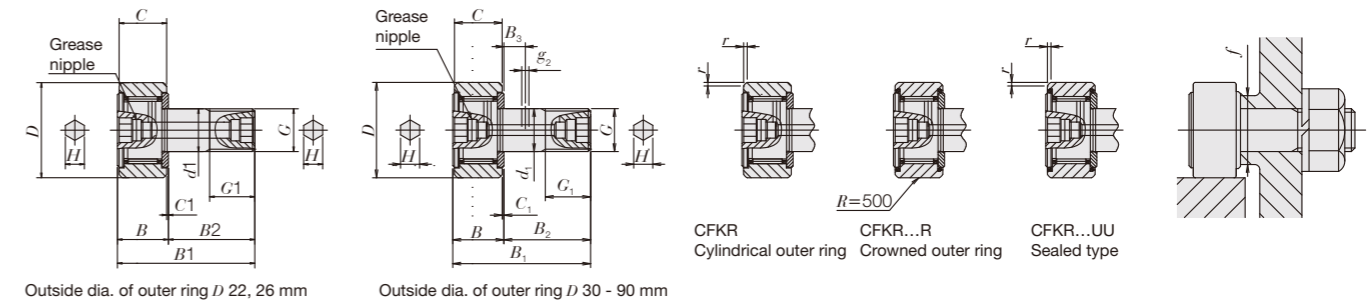
Example of Identification Number

CFKR
22
V
UU
R

1
2
3
4
5

1 Model		4 Seal structure	
CFKR	Double Hex Hole Cam Followers	No symbol	Shield type
2 Dimensions		UU	Sealed type
Shows the outer ring outside diameter. (unit: mm)		5 Shape of outer ring outside surface	
No symbol	With cage	No symbol	Cylindrical outer ring
V	Full complement	R	Crowned outer ring

Dimensions



Outside dia. of outer ring D 22, 26 mm Outside dia. of outer ring D 30 - 90 mm

With cage

Identification number	Shield type		Sealed type		Mass (Ref.) g	Boundary dimensions mm											Mounting dimension f Min. mm	Maximum tightening torque N·m	Basic dynamic load rating C N	Basic static load rating C_0 N	Maximum allowable static load N	
	Crowned outer ring	Cylindrical outer ring	Crowned outer ring	Cylindrical outer ring		D	C	d_1	G	G_1	B_{max}	B_{1max}	B_2	B_3	C_1	G_2						H
CFKR22R	CFKR22	CFKR22UUR	CFKR22UU	43	22	12	10	M10X1.0	12	13.2	36.2	23	-	0.6	-	5	0.3	16	13.0	5 430	6 890	6 890
CFKR26R	CFKR26	CFKR26UUR	CFKR26UU	58	26	14	12	M12X1.5	13	15.2	40.2	25	6	0.6	3	6	0.6	21	21.9	7 910	9 790	9 790
CFKR30R	CFKR30	CFKR30UUR	CFKR30UU	94	30	14	12	M12X1.5	13	15.2	40.2	25	6	0.6	3	6	0.6	21	21.9	7 910	9 790	9 790
CFKR32R	CFKR32	CFKR32UUR	CFKR32UU	104	32	14	12	M12X1.5	13	15.2	40.2	25	6	0.6	3	6	0.6	21	21.9	7 910	9 790	9 790
CFKR35R	CFKR35	CFKR35UUR	CFKR35UU	165	35	18	16	M16X1.5	17	19.6	52.1	32.5	8	0.8	3	8	0.6	26	58.5	12 000	18 300	18 300
CFKR40R	CFKR40	CFKR40UUR	CFKR40UU	248	40	20	18	M18X1.5	19	21.6	58.1	36.5	8	0.8	3	8	1	29	86.2	14 800	25 200	25 200
CFKR47R	CFKR47	CFKR47UUR	CFKR47UU	378	47	24	20	M20X1.5	21	25.6	66.1	40.5	9	0.8	4	10	1	34	119	20 700	34 600	34 600
CFKR52R	CFKR52	CFKR52UUR	CFKR52UU	453	52	24	20	M20X1.5	21	25.6	66.1	40.5	9	0.8	4	10	1	34	119	20 700	34 600	34 600
CFKR62R	CFKR62	CFKR62UUR	CFKR62UU	795	62	29	24	M24X1.5	25	30.6	80.1	49.5	11	0.8	4	14	1	40	215	30 500	52 600	52 000
CFKR72R	CFKR72	CFKR72UUR	CFKR72UU	1 120	72	29	24	M24X1.5	25	30.6	80.1	49.5	11	0.8	4	14	1	40	215	30 500	52 600	52 000
CFKR80R	CFKR80	CFKR80UUR	CFKR80UU	1 860	80	35	30	M30X1.5	32	37	100	63	15	1	4	14	1	49	438	45 400	85 100	85 100
CFKR85R	CFKR85	CFKR85UUR	CFKR85UU	2 020	85	35	30	M30X1.5	32	37	100	63	15	1	4	14	1	49	438	45 400	85 100	85 100
CFKR90R	CFKR90	CFKR90UUR	CFKR90UU	2 210	90	35	30	M30X1.5	32	37	100	63	15	1	4	14	1	49	438	45 400	85 100	85 100

Note (1) Minimum allowable value of chamfer dimension r_5 . 1N=0.102kgf

Variations of CFKR

Model of bearing	Roller guide method	Shape of outer ring outside surface	Seal structure	Identification number	Size (outside dia. of outer ring)																		
					22	26	30	32	35	40	47	52	62	72	80	85	90						
Double Hex Hole Cam Followers	With cage	Crowned outer ring	Shield type	CFKR...R	○	○	○	○	○	○	○	○	○	○	○	○	○	○	○	○	○	○	
			Sealed type	CFKR...UUR	○	○	○	○	○	○	○	○	○	○	○	○	○	○	○	○	○	○	○
		Cylindrical outer ring	Shield type	CFKR	○	○	○	○	○	○	○	○	○	○	○	○	○	○	○	○	○	○	○
			Sealed type	CFKR...UU	○	○	○	○	○	○	○	○	○	○	○	○	○	○	○	○	○	○	○
	Full complement	Crowned outer ring	Shield type	CFKR...VR	○	○	○	○	○	○	○	○	○	○	○	○	○	○	○	○	○	○	○
			Sealed type	CFKR...VUUR	○	○	○	○	○	○	○	○	○	○	○	○	○	○	○	○	○	○	○
Cylindrical outer ring		Shield type	CFKR...V	○	○	○	○	○	○	○	○	○	○	○	○	○	○	○	○	○	○	○	○
		Sealed type	CFKR...VUU	○	○	○	○	○	○	○	○	○	○	○	○	○	○	○	○	○	○	○	○

Full complement

Identification number	Shield type		Sealed type		Mass (Ref.) g	Boundary dimensions mm											Mounting dimension f Min. mm	Maximum tightening torque N·m	Basic dynamic load rating C N	Basic static load rating C_0 N	Maximum allowable static load N	
	Crowned outer ring	Cylindrical outer ring	Crowned outer ring	Cylindrical outer ring		D	C	d_1	G	G_1	B_{max}	B_{1max}	B_2	B_3	C_1	G_2						H
CFKR22VR	CFKR22V	CFKR22VUUR	CFKR22VUU	44	22	12	10	M10X1.0	12	13.2	36.2	23	-	0.6	-	5	0.3	16	13.0	9 570	14 500	7 920
CFKR26VR	CFKR26V	CFKR26VUUR	CFKR26VUU	59	26	14	12	M12X1.5	13	15.2	40.2	25	6	0.6	3	6	0.6	21	21.9	13 500	19 700	13 200
CFKR30VR	CFKR30V	CFKR30VUUR	CFKR30VUU	96	30	14	12	M12X1.5	13	15.2	40.2	25	6	0.6	3	6	0.6	21	21.9	13 500	19 700	13 200
CFKR32VR	CFKR32V	CFKR32VUUR	CFKR32VUU	106	32	14	12	M12X1.5	13	15.2	40.2	25	6	0.6	3	6	0.6	21	21.9	13 500	19 700	13 200
CFKR35VR	CFKR35V	CFKR35VUUR	CFKR35VUU	168	35	18	16	M16X1.5	17	19.6	52.1	32.5	8	0.8	3	8	0.6	26	58.5	20 700	37 600	23 200
CFKR40VR	CFKR40V	CFKR40VUUR	CFKR40VUU	253	40	20	18	M18X1.5	19	21.6	58.1	36.5	8	0.8	3	8	1	29	86.2	25 300	51 300	31 100
CFKR47VR	CFKR47V	CFKR47VUUR	CFKR47VUU	383	47	24	20	M20X1.5	21	25.6	66.1	40.5	9	0.8	4	10	1	34	119	33 200	64 500	37 500
CFKR52VR	CFKR52V	CFKR52VUUR	CFKR52VUU	458	52	24	20	M20X1.5	21	25.6	66.1	40.5	9	0.8	4	10	1	34	119	33 200	64 500	37 500
CFKR62VR	CFKR62V	CFKR62VUUR	CFKR62VUU	800	62	29	24	M24X1.5	25	30.6	80.1	49.5	11	0.8	4	14	1	40	215	46 600	92 000	52 000
CFKR72VR	CFKR72V	CFKR72VUUR	CFKR72VUU	1 120	72	29	24	M24X1.5	25	30.6	80.1	49.5	11	0.8	4	14	1	40	215	46 600	92 000	52 000
CFKR80VR	CFKR80V	CFKR80VUUR	CFKR80VUU	1 860	80	35	30	M30X1.5	32	37	100	63	15	1	4	14	1	49	438	67 700	144 000	85 900
CFKR85VR	CFKR85V	CFKR85VUUR	CFKR85VUU	2 020	85	35	30	M30X1.5	32	37	100	63	15	1	4	14	1	49	438	67 700	144 000	85 900
CFKR90VR	CFKR90V	CFKR90VUUR	CFKR90VUU	2 210	90	35	30	M30X1.5	32	37	100	63	15	1	4	14	1	49	438	67 700	144 000	85 900

Note (1) Minimum allowable value of chamfer dimension r_5 . 1N=0.102kgf