

U.S. PATENTED

IKO

Anti-Creep Cage Crossed Roller Way

CRWG & CRWG...H

CAT-57181

See you again at
IKO Website
<http://www.ikont.co.jp/eg/>

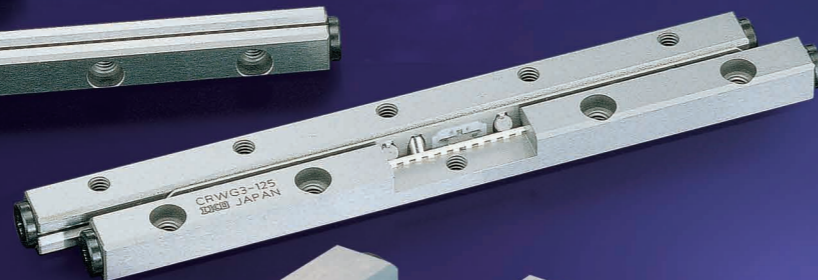
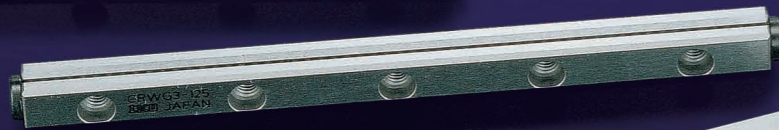
No man is free who can not control himself

IKO strives to be a leader in Technology. Our primary source for development is listening to the customer wants and needs. Our performance and work separate us from others by utilizing our creative thinking and original technologies. **IKO** is constantly developing and implementing new and advanced technologies in pursuit of excellent motion performance and service for your cost savings.

Perfect solution for the cage creep problem. Super high accuracy with ultra smooth linear motion with no cage-creep is achieved by incorporating **IKO**'s exclusive rack and pinion mechanism.

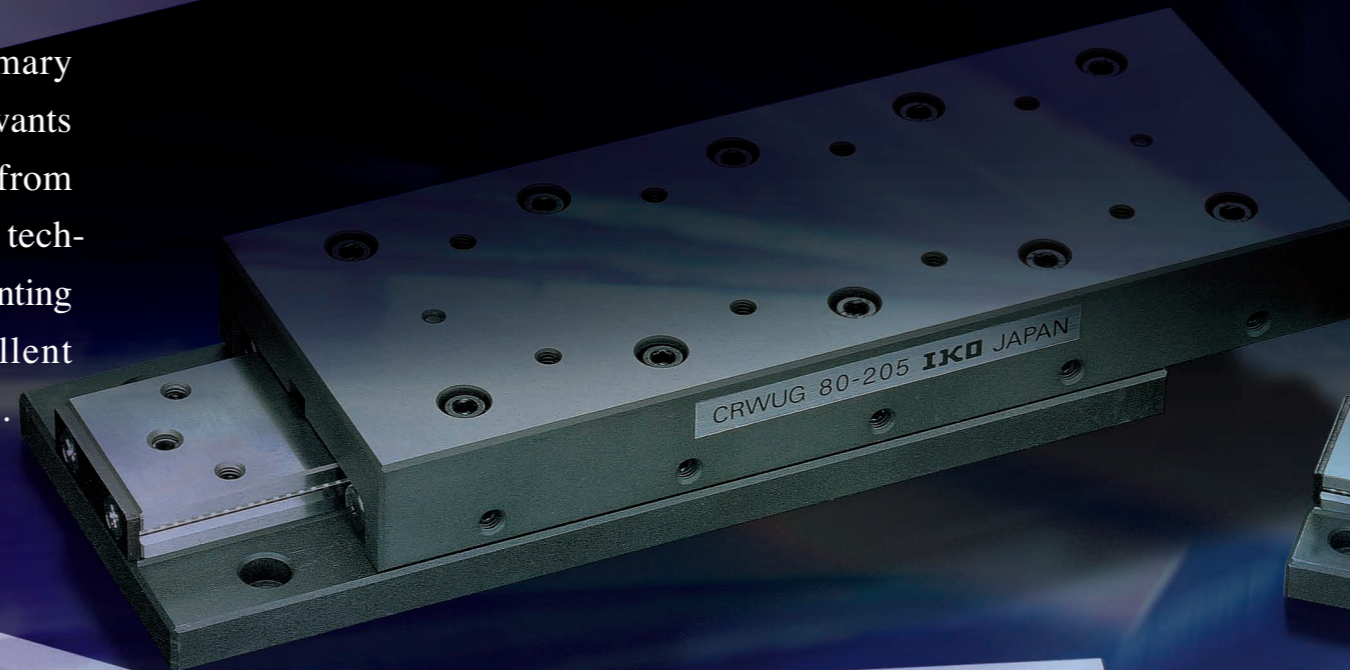
U.S. PATENT No. 6736541

IKO Anti-Creep Cage Crossed Roller Way **CRWG**



NEW

IKO Anti-Creep Cage Crossed Roller Way H **CRWG...H**



IKO Anti-Creep Cage Crossed Roller Way Unit **CRWUG**

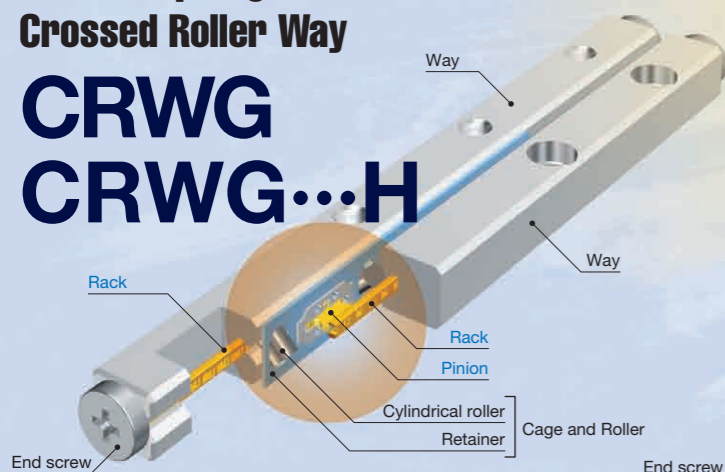
IKO Anti-Creep Cage Crossed Roller Way & Anti-Creep Cage Crossed Roller Way Unit

CRWG·CRWG...H·CRWUG

IKO Anti-Creep Cage Crossed Roller Way is the product with a cage creep proof function using a rack and pinion mechanism originated from **IKO** Crossed Roller Way, featuring smooth linear motion with super high accuracy. CRWG...H is high load capacity type of CRWG, which is achieved greatly increased load rating by redesigning of raceway of CRWG.

Anti-Creep Cage Crossed Roller Way

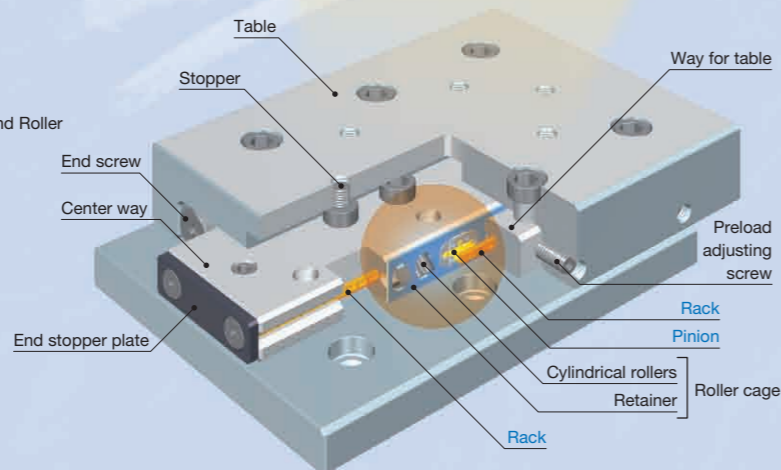
CRWG CRWG...H



Structure of Anti-Creep Cage Crossed Roller Way

Anti-Creep Cage Crossed Roller Way Unit

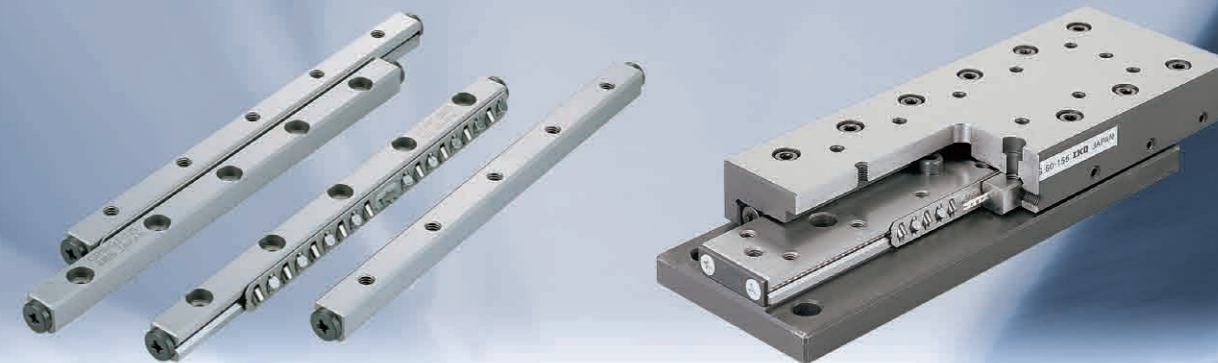
CRWUG



Structure of Anti-Creep Cage Crossed Roller Way Unit

Built in rack and pinion mechanism solves cage creep problem.

IKO original rack and pinion structure



Solves cage creep problem

Perfect solution for cage creep problems by a built in rack and pinion mechanism as an **IKO** original design.

Freedom in mounting

This series is reliable for applications such as a vertical axis where Crossed Roller Way may have chances of cage creep.

High-speed and high-tact operation

Any corrective operation for cage creep is not necessary even for a longtime operation. Energy saving in the operation is possible.

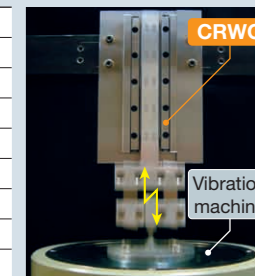
Saving energy

No remedy motion of cage is necessary even in long term operation.

No cage creep even under high-tact operation in vertical axis

(Durability test)

Test condition		CRWG3	
Model number	CRWG3		
Test method	Vibration test machine		
Condition	Posture	Vertical	
	Maximum speed	827 mm/s	
	Acceleration	15 G	
	Number of cycle	31 Hz	
	Stroke length	8 mm	
Mass of moving part	330 g		
Total cycles	100,000,000 cycles		

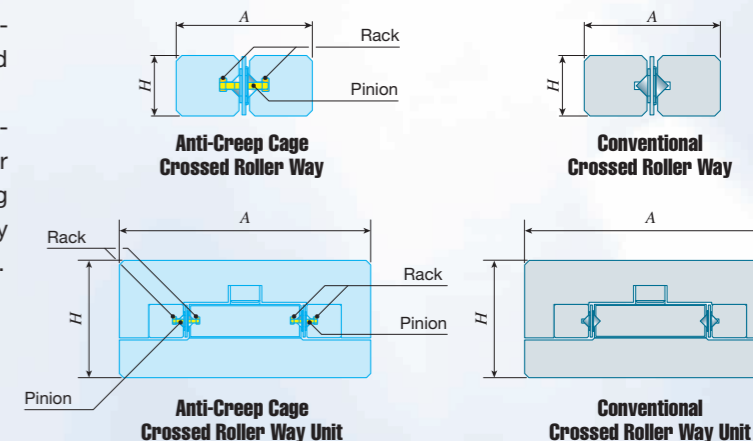


(Result)

No cage creep nor material damage in any component is found.

Interchangeable in dimensions

CRWG, CRWG...H and CRWUG are dimensionally interchangeable to **IKO** Crossed Roller Way and Crossed Roller Way Unit. Since they have the same external dimensions to those of the existing Crossed Roller Way and Crossed Roller Way Unit, existing Crossed Roller Way and Crossed Roller Way Unit can be replaced without any modification.



Smooth and accurate operation

Combination of precisely finished raceways and non-recirculating cages with super high precision rollers provides superbly smooth motion with very high accuracy.

Improved running accuracy

Extremely high running accuracy can be achieved without run-out by recirculating of rolling element.

Suitable for step positioning

Improvement of precision positioning accuracy and superior corresponding feature to step positioning command can be expected because of the linear motion without stick-slip by extremely small frictional resistance.

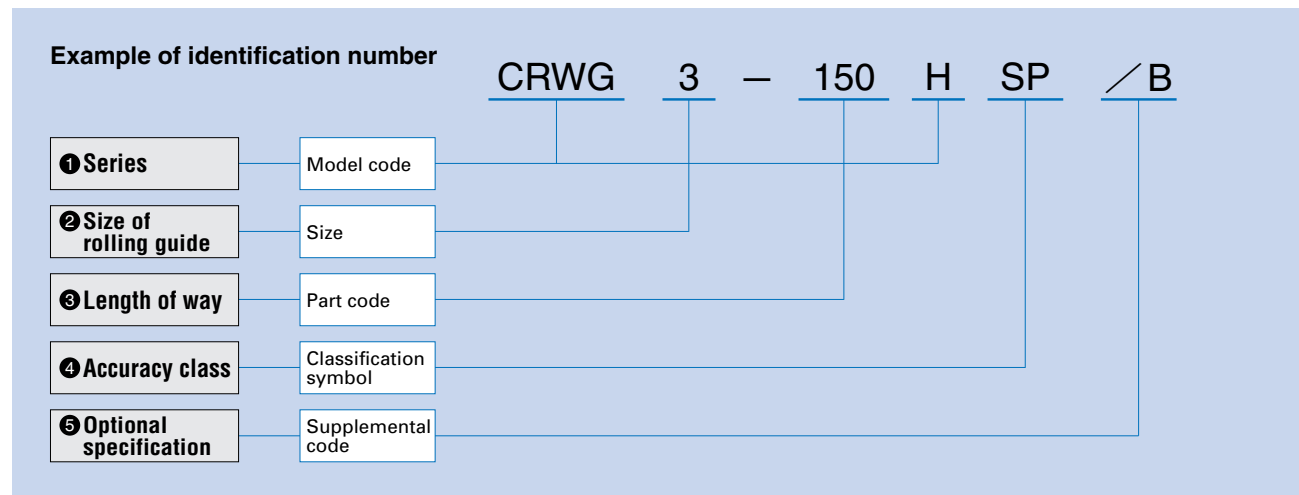
Series and sizes

Material	Series	Shape	Model code	Size	Length			
Carbon steel	IKO Anti-Creep Cage Crossed Roller Way	Standard	CRWG	2	30 45 60 75 90 105 120 135 150			
				3	50 75 100 125 150 175 200 225 250			
				4	80 120 160 200 240 280 320			
				6	100 150 200 250 300 350			
				IKO Anti-Creep Cage Crossed Roller Way Unit	Unit type	CRWUG	40	35 50 65 80 95 110 125
							60	55 80 105 130 155
	80	85 125 165 205						

Identification Number

● Identification Number of Anti-Creep Cage Crossed Roller Way CRWG(…H)

The specification of Anti-Creep Cage Crossed Roller Way is indicated by the identification number. Indicate each specification by using a model code, size, part code, classification symbol, and supplemental codes. The ordering unit is a set of the combination of four ways and two roller cages.



① Series	CRWG CRWG…H
② Size of rolling guide	CRWG : 2, 3, 4, 6 CRWG…H : 3, 4
③ Length of way	○ The length of way is indicated in millimeters. For applicable way lengths, please refer to Table 1

Table 1 Length of way

Model number	Length of way mm								
	30	45	60	75	90	105	120	135	150
CRWG 2									
CRWG 3 CRWG 3…H	50	75	100	125	150	175	200	225	250
CRWG 4 CRWG 4…H	80	120	160	200	240	280	320	—	—
CRWG 6	100	150	200	250	300	350	—	—	—

④ Accuracy class	Standard : No symbol Super precision : SP	For the allowable values of parallelism of the raceway to the reference mounting surface, see Fig.5 on page 9.
-------------------------	--	--

⑤ Optional specification

/B

The special mounting screws for ways are appended. Applicable sizes are shown below.

Special mounting screw /B

The way on the preload adjustment side is moved when the preload is adjusted. There should be some allowance for movement between the way fixing screw and the mounting hole. When such allowance cannot be provided or when the fixing screw is installed from the way side as shown in Fig.1, it is convenient to use the attached special mounting screws.

This special mounting screw is also useful when the positional accuracy of the mounting holes and female screws of the machine on which the fixed side ways are mounted is not sufficient.

Table 2 Dimensions of special mounting screws

unit: mm

Size of CRWG	Screw size	d	D	H	L	S
3	M3	2.3	5	3	12	5
4	M4	3.1	6	4	15	6
6	M5	3.9	8	5	20	8

Remark: Not applicable to size 2

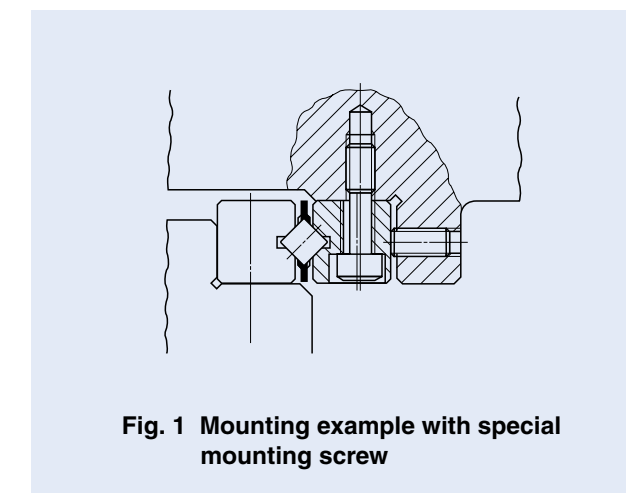
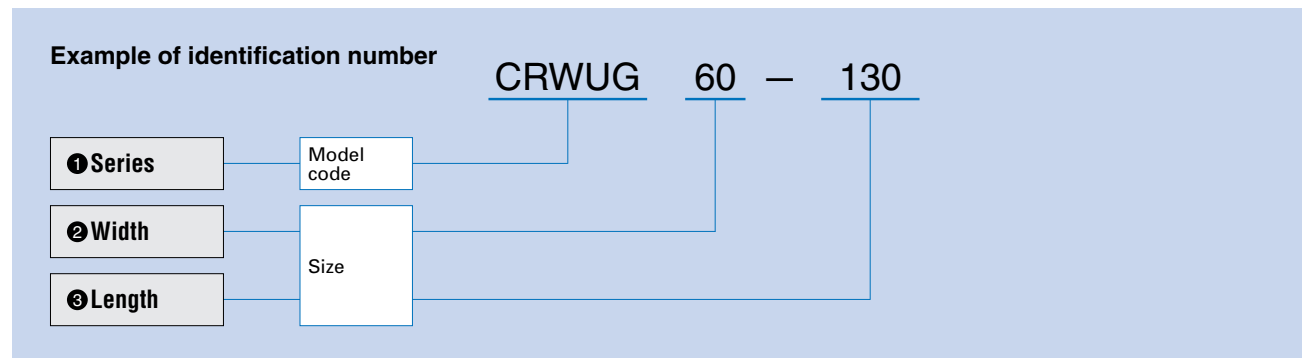


Fig. 1 Mounting example with special mounting screw

● Identification Number of Anti-Creep Cage Crossed Roller Way Unit CRWUG

The specification of Anti-Creep Cage Crossed Roller Way Unit is indicated by the model number. Indicate each specification by using a model code and size.



① Series	CRWUG	
② Width	40, 60, 80	Indicate the width of table unit in mm.
③ Length	○	Indicate the length of table unit in mm. For applicable lengths, please refer to Table 3.

Table 3 Length of table unit

Model number	Length mm						
CRWUG 40	35	50	65	80	95	110	125
CRWUG 60	55	80	105	130	155	—	—
CRWUG 80	85	125	165	205	—	—	—

Load Rating and Allowable Load

For the load rating and allowable load of Anti-Creep Cage Crossed Roller Way, values for a downward load provided when a combination of four ways and two roller cages is used in parallel are indicated. An outline of them is described below.

The load ratings and allowable load of Anti-Creep Cage Crossed Roller Way (and Unit) are designed for equal load capacity in downward, upward, and lateral directions.

● Basic dynamic load rating C CRWG(...H) CRWUG

The basic dynamic load rating is defined as a constant load both in direction and magnitude under which a group of identical Crossed Roller Way are individually operated and 90% of those in the group can travel 100×10^3 meters free from material damage due to rolling contact fatigue.

● Basic static load rating C_0 CRWG(...H) CRWUG

The basic static load rating is defined as the static load that gives a prescribed constant contact stress at the center of the contact area between a rolling element and raceways receiving the maximum load.

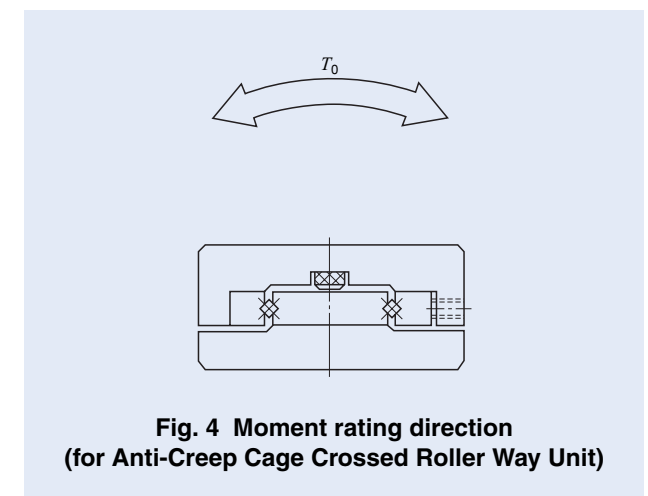
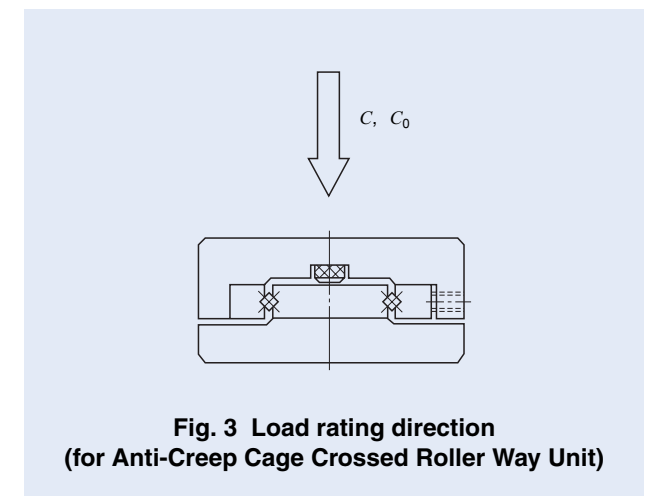
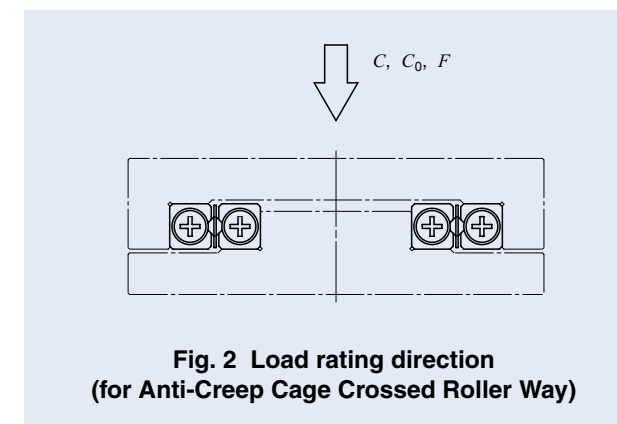
● Allowable load F CRWG(...H) CRWUG

The allowable load is a load under which the sum of elastic deformations of the rolling element and the raceways in the contact area subjected to the maximum contact stress is small enough to guarantee accuracy and smooth rolling movement.

Therefore, where very smooth and highly accurate linear motion is required, make sure to use an Anti-Creep Cage Crossed Roller Way well within the allowable load values.

● Static moment rating T_0 CRWUG

The static moment rating is defined as the static moment load that gives a prescribed constant contact stress at the center of the contact area between the rolling element and raceway receiving the maximum load when a moment is loaded.



● Life CRWG(...H) CRWUG

The rating life of Anti-Creep Cage Crossed Roller Way (and Unit) is obtained from the following calculation formula.

$$L = 100 \left(\frac{C}{P} \right)^{10/3} \dots \dots \dots (1)$$

where, L : Rating life, 10^3 m
 C : Basic dynamic load rating, N
 P : Equivalent load, N

If the stroke length and the number or strokes per minute are known, the life in hours must be corrected by the following formula.

$$L_h = \frac{10^6 L}{2S n_1 \times 60} \dots \dots \dots (2)$$

where, L_h : Rating life in hours, h
 S : Stroke length, mm
 n_1 : Number of strokes per minute, cpm

● Static safety factor

CRWG(…H) CRWUG

The static safety factor f_s of Anti-Creep Cage Crossed Roller Way (and Unit) is given in the following formula, and general values of this factor are shown in Table 4.

$$f_s = \frac{C_0}{P_0} \dots\dots\dots(3)$$

$$f_s = \frac{T_0}{M_0} \dots\dots\dots(4)$$

where, f_s : Static safety factor

C_0 : Basic static load rating, N

P_0 : Static equivalent load (or maximum load), N

T_0 : Static moment rating, N·m

M_0 : Moment in T_0 direction, N·m

Table 4 Static safety factor

Operating conditions	f_s
Operation with vibration and/or shocks	3 ~ 5
High operating performance	2 ~ 4
Normal operation	1 ~ 3

● Load factor

CRWG(…H) CRWUG

Actual loads applied to Anti-Creep Cage Crossed Roller Way (and Unit) sometimes exceed the theoretically calculated load due to vibration and shocks caused by machine operation. The applied load is generally calculated by multiplying the theoretically calculated load by the load factor indicated in Table 5.

Table 5 Load factor

Operating conditions	f_w
Smooth operation free from vibration and/or shocks	1 ~ 1.2
Normal operation	1.2 ~ 1.5
Operation with shock loads	1.5 ~ 3

Accuracy

● Accuracy of Anti-Creep Cage Crossed Roller Way

CRWG(…H)

For the allowable values of parallelism between two raceways of Anti-Creep Cage Crossed Roller Way, see Fig.5.

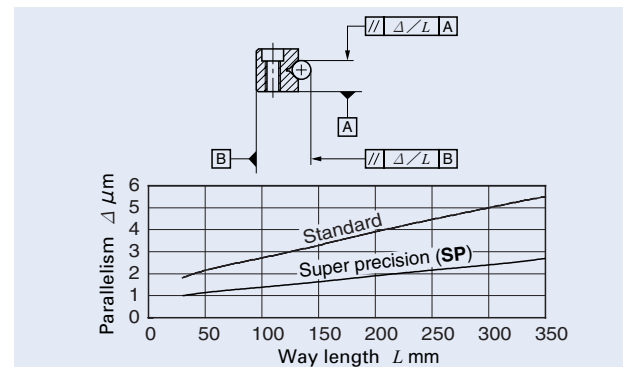


Fig. 5 Accuracy of Anti-Creep Cage Crossed Roller Way

● Accuracy of Anti-Creep Cage Crossed Roller Way Unit

CRWUG

The accuracy of Anti-Creep Cage Crossed Roller Way Unit is shown in Table 6. Parallelism at the table center shows the difference between the maximum and the minimum of table height when the table is stroked. Parallelism at table side shows the difference between the maximum and the minimum of measured values at the table side (opposite to adjusting side) when the table is stroked. The standard height tolerance of the unit is +/-0.1mm. If several units are used on the same mounting surface and the height of those units require a limited height variation, units with a height variation of less than 0.01mm among the several units to be used on the same mounting surface can be supplied on request. If a special accuracy other than those shown in Table 6 is required, consult .

Table 6 Accuracy of Anti-Creep Cage Crossed Roller Way Unit

Unit length mm		Parallelism at table center	Parallelism at table side
over	incl.		
—	50	2	4
50	100	2	5
100	160	3	6
160	310	3	7

unit: μm

Lubrication and dust protection

CRWG(…H) CRWUG

Oil or grease shall be used as lubricant for Anti-Creep Cage Crossed Roller Way and Unit Anti-Creep Cage Crossed Roller Way Unit. Oil is generally used for high speed or low friction operation. On the other hand, grease is used when operating speed is low. In case of grease lubrication, good quality lithium-soap base grease is recommended. When operation speed is low and load is light, coat the raceways with grease before use and rubricate periodically. Structure shown in Fig.6 makes the lubrication easy.

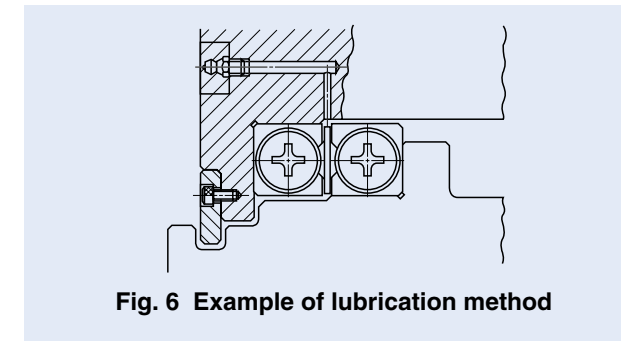


Fig. 6 Example of lubrication method

Dust protection

CRWG(…H) CRWUG

Anti-Creep Cage Crossed Roller Way and Anti-Creep Cage Crossed Roller Way Unit are finished very accurately. If harmful foreign materials such as dust or chips enter inside the ways, this will shorten the life or lower the accuracy. With the object of preventing external harmful foreign materials such as dust, chips and water from entering inside, it is recommended to install a non-contact-type labyrinth seal shown in Fig. 7 or a contact type wiper seal shown in Fig. 8 on both side faces.

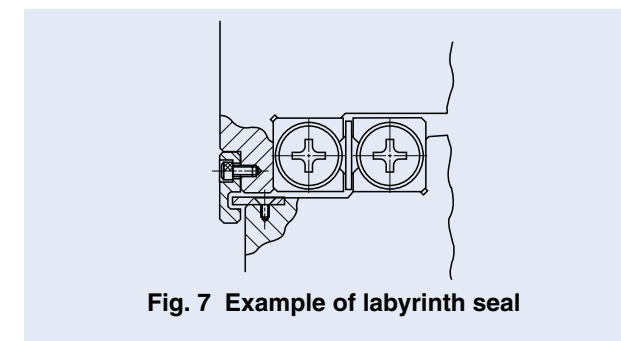


Fig. 7 Example of labyrinth seal

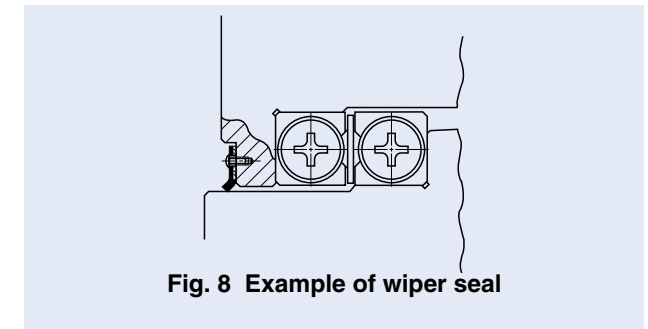


Fig. 8 Example of wiper seal

Precautions for use

① Specifications of product

CRWG(…H) CRWUG

Check if the operating characteristics of the selected Anti-Creep Cage Crossed Roller Way and Anti-Creep Cage Crossed Roller Way Unit are suitable for the application of the machine or equipment.

② Handling

CRWG(…H) CRWUG

Anti-Creep Cage Crossed Roller Way and Anti-Creep Cage Crossed Roller Way Unit are finished in production very accurately, so handle carefully.

A pinion is assembled in the roller cage. If the cage is dropped or handled roughly, the pinion may come off. As cutting off the cage may cause the pinion coming off or damage to the pinion mounting part, so please avoid cutting off the cage. A rack is assembled in the way and fixed its position with the end screws. When assembling, the rack may come out from the way by removing the end screws.

③ Accuracy of the mounting part

CRWG(…H)

The general configuration of mating mounting surfaces for Anti-Creep Cage Crossed Roller Way is shown in Fig. 9.

Accuracy of the mating mounting surfaces are, in general, as shown in Table 7. The accuracy of the mating mounting surfaces directly affects the operating accuracy and performance of Anti-Creep Cage Crossed Roller Way. If very precise operating accuracy is required, higher accuracy of mating mounting surfaces than the values shown in Table 7 may be needed.

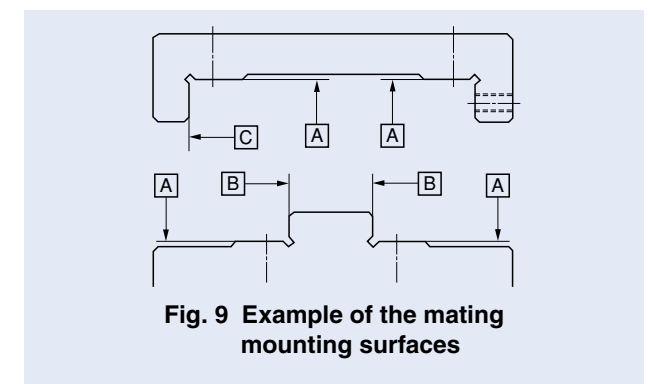


Fig. 9 Example of the mating mounting surfaces

1N=0.102kgf=0.2248lbs.
1mm=0.03937inch

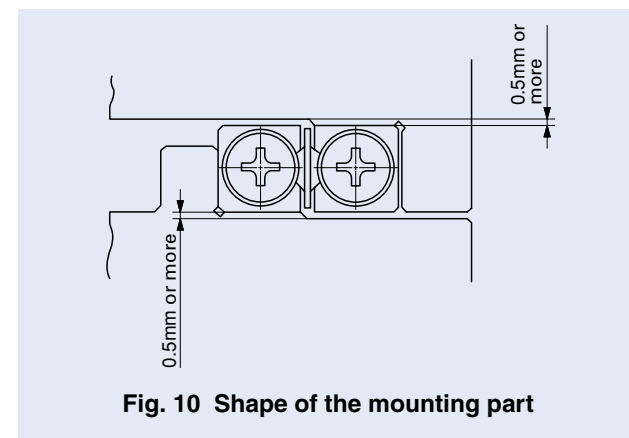
Table 7 Example of the mating mounting surfaces

A surface	<ul style="list-style-type: none"> This accuracy directly affects the running accuracy. For the flatness of the respective two mounting surfaces on the table side and bed side, the value close to the parallelism shown in Fig. 5 on page 9 is recommended.
B and C surfaces	<ul style="list-style-type: none"> Flatness Flatness of these surfaces directly affects preload. For the flatness, the value close to the parallelism shown in Fig. 5 on page 9 is recommended. Squareness This accuracy directly affects the rigidity in the preload direction of the mounting part of Anti-Creep Cage Crossed Roller Way. Consequently, a high accuracy finish is necessary.

4 Shape of the mounting part

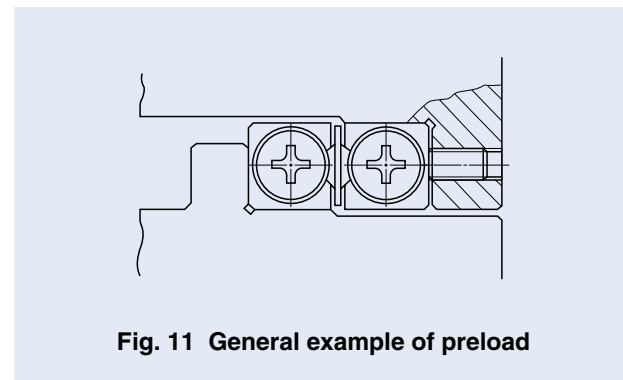
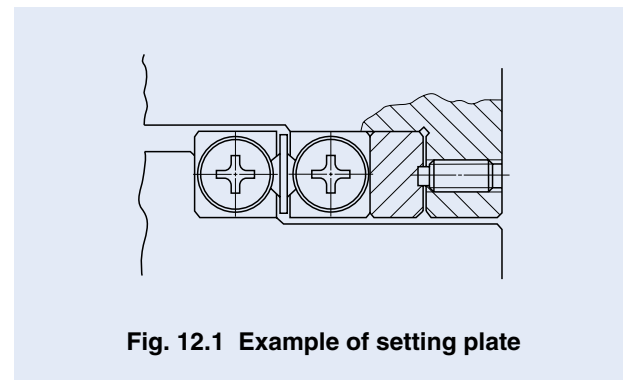
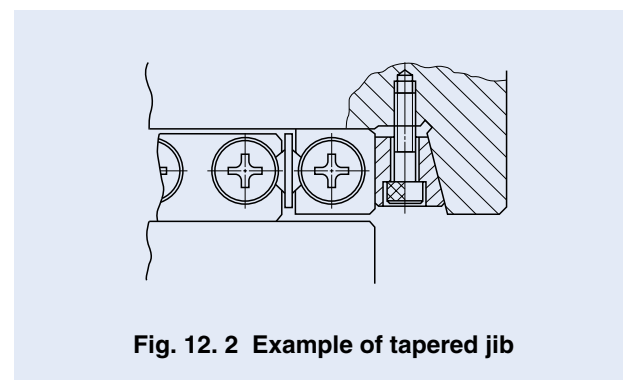
CRWG(…H)

It is recommended to make a relieved fillet at the corner of the mating mounting surfaces as shown in Fig.10. Allow a clearance of 0.5 mm or more between the way and the mating material of the other side.

**Fig. 10 Shape of the mounting part****5 Preload method**

CRWG(…H)

Preload adjusting screws are generally used for setting preload, as shown in Fig.11. The size of the preload adjusting screws are the same as that of the mounting screws for the ways. The position of the preload adjusting screws is at the same position as the mounting screws of the ways. For centering, use half of way height H . Preload amounts differ according to the application of machine or equipment. Excessive preloads deteriorate life and often damage the raceways. Therefore, zero or minimal preload is recommended in general. If accuracy and rigidity are important, a setting plate as shown in Fig.12.1 or a tapered jib as shown in Fig.12.2 may be used.

**Fig. 11 General example of preload****Fig. 12.1 Example of setting plate****Fig. 12.2 Example of tapered jib****6 Preload re-adjustment**

CRWUG

Preload of Anti-Creep Cage Crossed Roller Way Unit is adjusted to zero or minimal amount of preload in the delivery. If adjustment is required, please refer "6 Preload adjustment" on page 14.

7 Maximum operating temperature

CRWG(…H) CRWUG

Anti-Creep Cage Crossed Roller Way and Anti-Creep Cage Crossed Roller Way Unit contains synthetic resin parts. Accordingly, the maximum operating temperature is 120°C. In case of continuous operation, operating temperature should not exceed 100°C.

8 Maximum speed

CRWG(…H) CRWUG

The operating speed of Anti-Creep Cage Crossed Roller Way and Anti-Creep Cage Crossed Roller Way Unit should not exceed 30m/min.

9 Tightening torque of mounting screws

CRWG(…H) CRWUG

Tightening torque of mounting screws is shown in Table 8. If vibration or shock is large, or moment load is applied, it is recommended to tighten the screws by about 1.3 times the values shown in Table 8. If vibration and shock are not present and high operating accuracy is needed, a lower tightening torque than the values shown in Table 8 is suggested. In this case, adhesive or lock-screws may be used to prevent any subsequent loosening of the mounting screws.

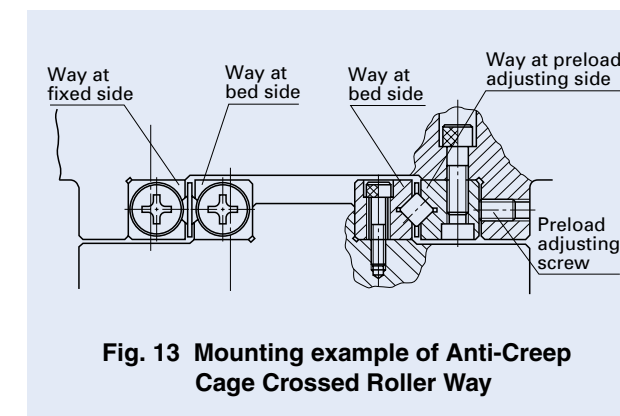
Table 8 Tightening torque of screws

Screw size	Tightening torque N · m
M2 × 0.4	0.23
M3 × 0.5	1.4
M4 × 0.7	3.2
M5 × 0.8	6.3
M6 × 1	10.7

Remark: If the screw sizes on table side and bed side are different, use the tightening torque of the smaller screw size for both screws.

Mounting

A general method of Anti-Creep Cage Crossed Roller Way and Anti-Creep Cage Crossed Roller Way Unit is shown in Fig.13. The general procedure is as follows.

**Fig. 13 Mounting example of Anti-Creep Cage Crossed Roller Way****1 Preparation for mounting**

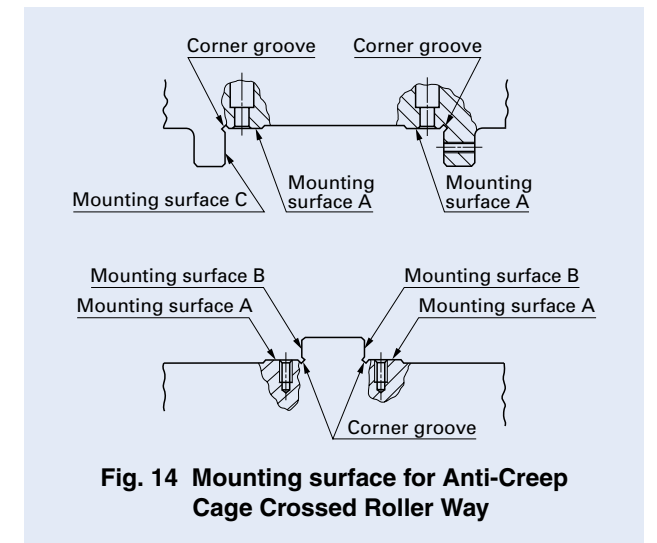
CRWG(…H) CRWUG

- Anti-Creep Cage Crossed Roller Way is delivered as an individual package containing four ways and two roller cages. The ways in each package are not interchangeable with ways in other packages, so do not mix them.
- Separate the end screws or end stoppers and wash the ways with a clean cleaning agent. After cleaning, apply rust preventive oil or lubricating oil.

2 Cleaning of mounting surfaces of table and bed

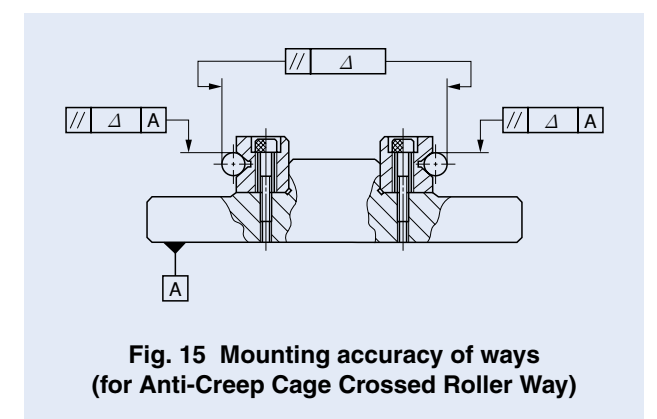
CRWG(…H) CRWUG

- Remove burrs and blemishes from mounting surfaces of table and bed with an oil-stone, etc. During this process, also pay attention to the corner grooves of the mounting surfaces.
- Wipe off dust with clean cloth and apply rust preventive oil or lubricating oil.

**Fig. 14 Mounting surface for Anti-Creep Cage Crossed Roller Way****3 Mounting of ways at bed side (Fig.15)**

CRWG(…H)

- After fitting mounting surface of ways onto the mating mounting surfaces of bed, temporarily tighten the mounting screws with uniform tightening torque.
- After closely fitting the ways to B surfaces (See Fig.14), tighten mounting screws uniformly to the prescribed tightening torque.
- If high accuracy is required, tighten the mounting screws uniformly to the prescribed tightening torque while checking the parallelism of the two ways along the overall way length.
- General tightening torque of mounting screws is shown in Table 8 on page 12.

**Fig. 15 Mounting accuracy of ways (for Anti-Creep Cage Crossed Roller Way)**

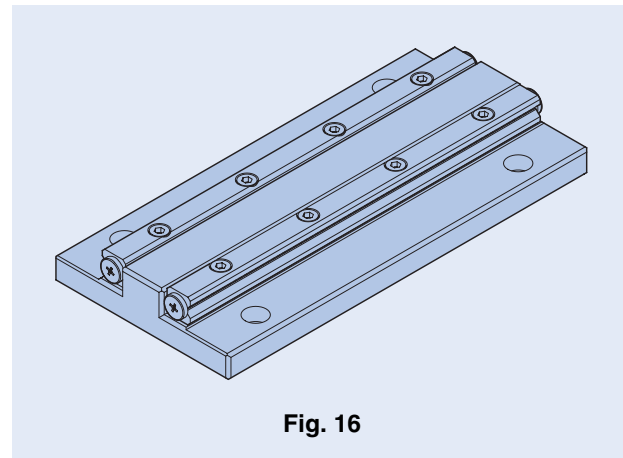


Fig. 16

4 Assembling of table and bed

- Place both of cylindrical rollers with retainer in bed-side at the end of stroke. (See Fig. 17)
- Engage the pinion gear in center of retainer with the rack gear of ways in bed-side.
- Please pay attention not to damage the retainer then.

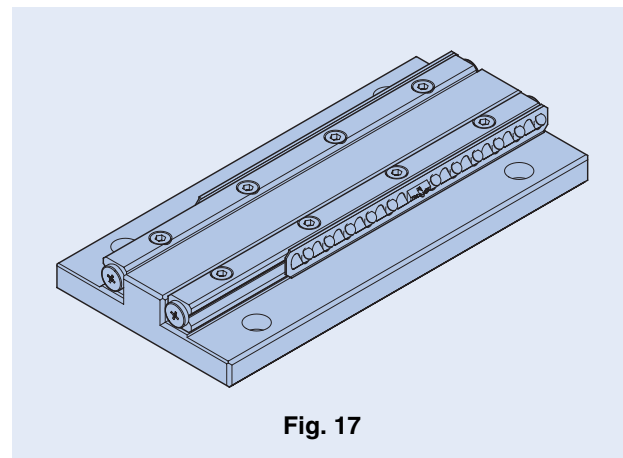


Fig. 17

- Place both ways in table-side on the location of the stroke end. (See Fig. 18)
- Engage the rack gear of ways in table-side with the pinion gear in center of retainer.

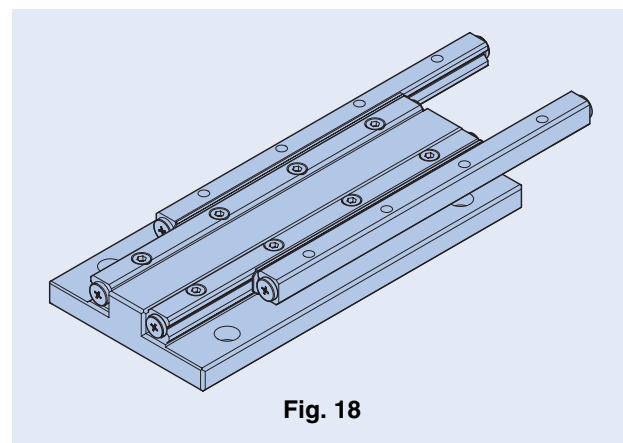


Fig. 18

- Slide both ways in table-side to the center of stroke. (See Fig. 19)

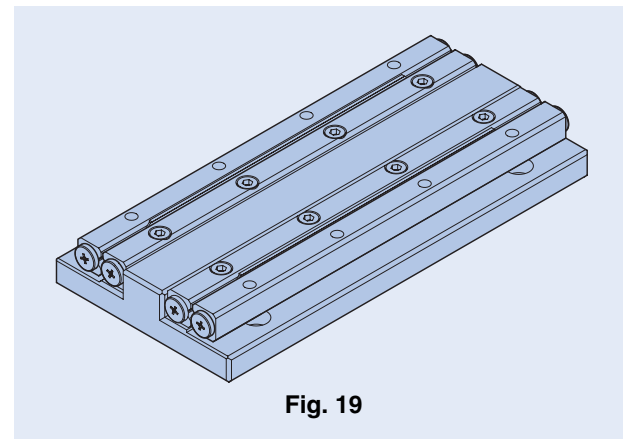


Fig. 19

- Place table to the assembling location holding both ways without shifting. (See Fig. 20)

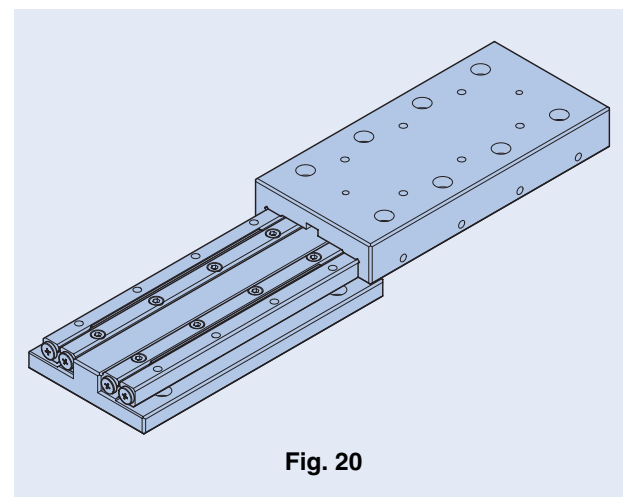


Fig. 20

- Temporarily tighten the mounting screws. (See Fig. 21)

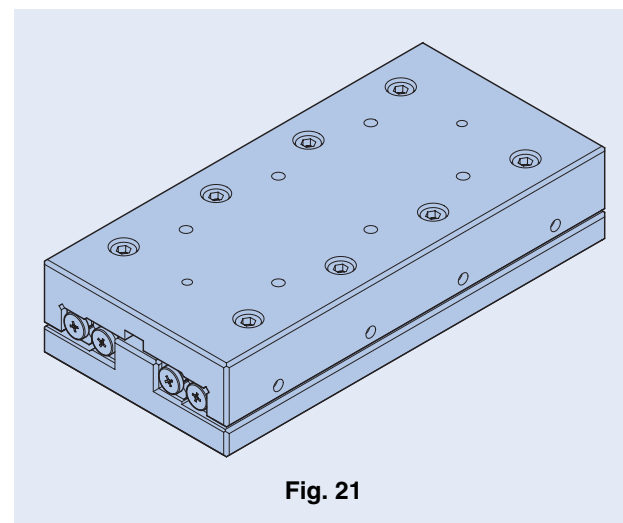


Fig. 21

- Gently move the table at a full stroke and make sure that the cylindrical roller at each end of the retainer does not hit the end screw of the track base within the stroke. If the roller hits the retainer end, repeat the above steps from the first. (See Fig. 22)

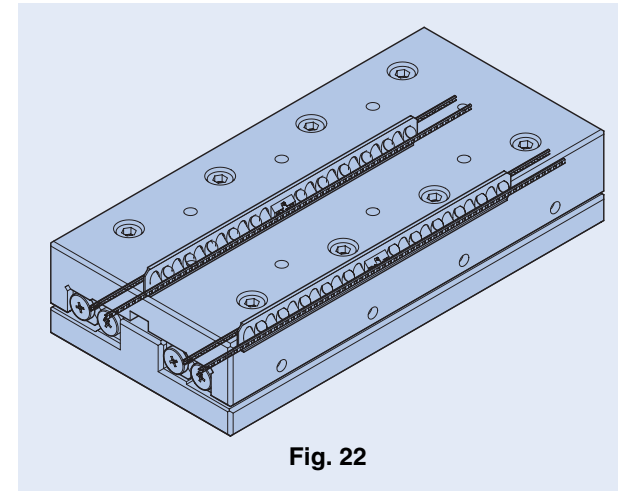


Fig. 22

5 Preload adjustment (Fig.23)

CRWG(…H) CRWUG

- Preload adjustment is done only when mounting screws for the way at the adjusting side are temporarily tightened lightly.
- Preload adjustment is started from the adjusting screw at the center of the way length, proceeding alternately to the left and right.
- While checking the clearance (deflection) at the side surface of table, tighten each amount, then repeat the same process applying a higher tightening torque until a dial gauge indicates zero-clearance. (No more change in deflection) Record the tightening torque of the adjusting screws at zero-clearance.
- When adjusting the screws close to the end of the way, gradually stroke the table and ensure that the roller cage is positioned at the adjusting screws.
- Using the above process, the internal clearance becomes zero or minimal amount of preload, but the preload amount is not uniform along the way length. Therefore, repeat the same process and tighten all adjusting screws uniformly to the recorded tightening torque.

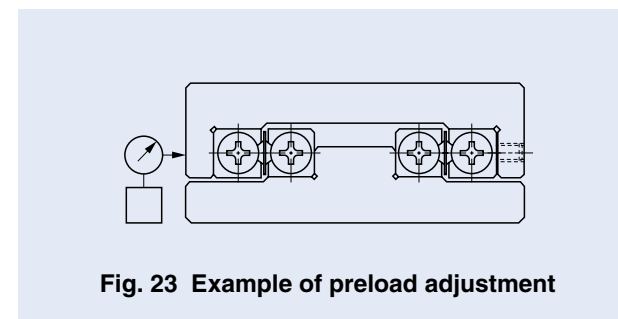


Fig. 23 Example of preload adjustment

6 Final fixing of the way at adjusting side

CRWG(…H)

- The mounting screws have been tightened lightly to a uniform torque. Similar to the adjustment of the preload adjusting screws, temporarily tighten the mounting screws at the adjusting side to a slightly lower tightening torque than the prescribed value. Start from the center screw of the way length and proceed alternately to the left and right.
- When tightening the mounting screws close to the end of the way, gradually stroke the table and ensure that the roller cage is positioned at the mounting screw.
- Finally, tighten all mounting screws at the adjusting side uniformly to the prescribed torque similar to the adjustment of the preload adjusting screws.

7 Final checking (Fig.24)

CRWG(…H)

- Stroke the table gradually till its full stroke length, ensuring that the stroke is smooth and quiet.
- Check the operating accuracy by measuring the upper and side faces of table with a dial gauge.

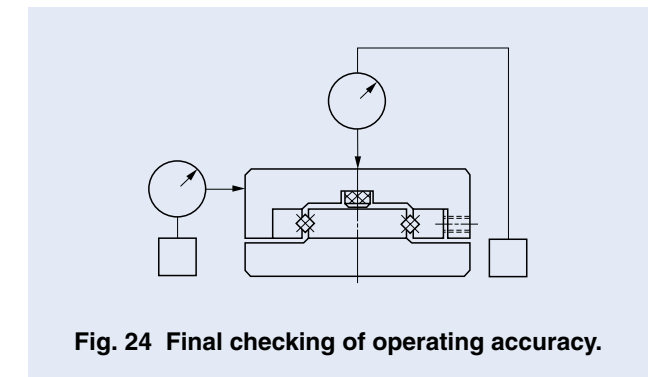
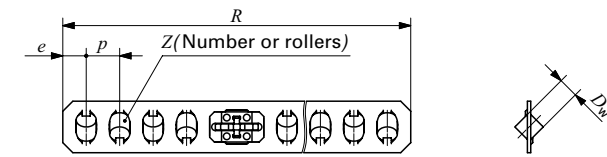
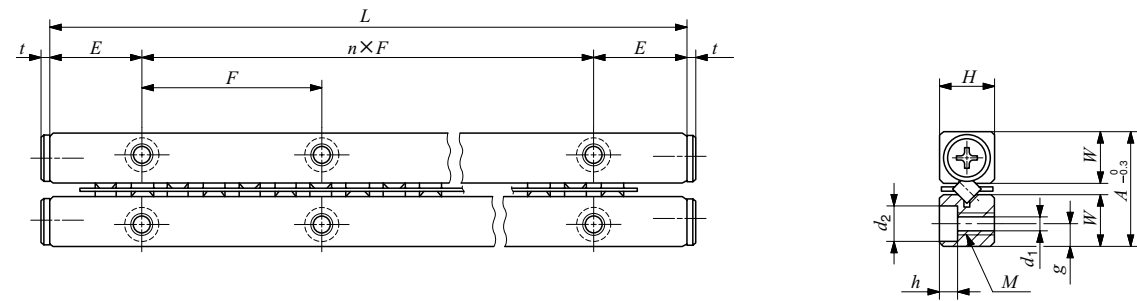


Fig. 24 Final checking of operating accuracy.

Anti-Creep Cage Crossed Roller Way CRWG

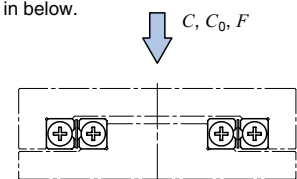
CRWG



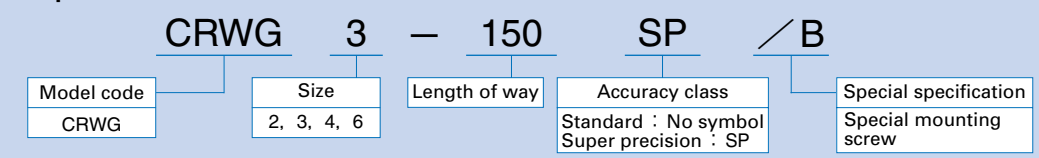
Model number	Mass (Ref.)		Nominal dimensions mm								
	Way ⁽¹⁾ g	Roller cage ⁽²⁾ g	Boundary dimensions				Dimension of roller cage				
			A	H	L (n × F)	E	D _w	R	Z	p	e
CRWG 2- 30	6.53	0.38	12	6	30 (1 × 15)	7.5	2	25.6	4	4	2.8
CRWG 2- 45	9.53	0.72			45 (2 × 15)			41.6	8		
CRWG 2- 60	12.5	0.88			60 (3 × 15)			49.6	10		
CRWG 2- 75	15.5	1.22			75 (4 × 15)			65.6	14		
CRWG 2- 90	18.5	1.39			90 (5 × 15)			73.6	16		
CRWG 2-105	21.5	1.72			105 (6 × 15)			89.6	20		
CRWG 2-120	24.5	1.89			120 (7 × 15)			97.6	22		
CRWG 2-135	27.5	2.22			135 (8 × 15)			113.6	26		
CRWG 2-150	30.5	2.39			150 (9 × 15)			121.6	28		
CRWG 3- 50	22.8	1.69			18			8	50 (1 × 25)		
CRWG 3- 75	33.3	2.71	75 (2 × 25)	62		10					
CRWG 3-100	43.8	3.72	100 (3 × 25)	82		14					
CRWG 3-125	54.4	4.74	125 (4 × 25)	102		18					
CRWG 3-150	64.9	5.75	150 (5 × 25)	122		22					
CRWG 3-175	75.4	6.77	175 (6 × 25)	142		26					
CRWG 3-200	85.9	7.78	200 (7 × 25)	162		30					
CRWG 3-225	96.4	8.80	225 (8 × 25)	182		34					
CRWG 3-250	107	9.81	250 (9 × 25)	202		38					
CRWG 4- 80	59.6	9.70	22	11		80 (1 × 40)	20		4	73	8
CRWG 4-120	88.0	12.0			120 (2 × 40)	101		12			
CRWG 4-160	116	14.3			160 (3 × 40)	129		16			
CRWG 4-200	145	16.7			200 (4 × 40)	157		20			
CRWG 4-240	173	20.1			240 (5 × 40)	199		26			
CRWG 4-280	201	22.5			280 (6 × 40)	227		30			
CRWG 4-320	230	24.8			320 (7 × 40)	255		34			
CRWG 6-100	147	12.0	31	15	100 (1 × 50)	25	6	75	6	9	6
CRWG 6-150	216	22.6			150 (2 × 50)			129	12		
CRWG 6-200	285	29.7			200 (3 × 50)			165	16		
CRWG 6-250	353	36.8			250 (4 × 50)			201	20		
CRWG 6-300	422	43.9			300 (5 × 50)			237	24		
CRWG 6-350	491	51.0			350 (6 × 50)			273	28		

Mounting dimensions							Maximum stroke length mm	Basic dynamic load rating ⁽³⁾ C N	Basic static load rating ⁽³⁾ C ₀ N	Allowable load ⁽³⁾ F N	Model number							
W	g	M	d ₁	d ₂	h	t												
5.5	2.5	M3	2.55	4.4	2	1.5	9	913	1 180	392	CRWG 2- 30							
							7	1 570	2 350	783	CRWG 2- 45							
							21	1 860	2 940	979	CRWG 2- 60							
							19	2 420	4 110	1 370	CRWG 2- 75							
							33	2 680	4 700	1 570	CRWG 2- 90							
							31	3 190	5 880	1 960	CRWG 2-105							
							45	3 440	6 460	2 150	CRWG 2-120							
							43	3 910	7 640	2 550	CRWG 2-135							
							57	4 150	8 230	2 740	CRWG 2-150							
							8.3	3.5	M4	3.3	6	3.1	2	13	2 740	3 660	1 220	CRWG 3- 50
23	4 080	6 090	2 030	CRWG 3- 75														
33	5 300	8 530	2 840	CRWG 3-100														
43	6 440	11 000	3 660	CRWG 3-125														
53	7 530	13 400	4 470	CRWG 3-150														
63	8 570	15 800	5 280	CRWG 3-175														
73	9 580	18 300	6 090	CRWG 3-200														
83	10 600	20 700	6 910	CRWG 3-225														
93	11 500	23 200	7 720	CRWG 3-250														
10	4.5	M5	4.3	7.5	4.1	2								14	6 690	9 400	3 130	CRWG 4- 80
							38	9 180	14 100	4 700	CRWG 4-120							
							62	11 500	18 800	6 270	CRWG 4-160							
							86	13 700	23 500	7 830	CRWG 4-200							
							82	16 700	30 600	10 200	CRWG 4-240							
							106	18 700	35 300	11 800	CRWG 4-280							
							129	20 600	40 000	13 300	CRWG 4-320							
							14	6	M6	5.3	9.5	5.2	3	48	11 200	13 800	4 610	CRWG 6-100
														40	19 300	27 700	9 230	CRWG 6-150
														68	24 100	36 900	12 300	CRWG 6-200
96	28 700	46 100	15 400	CRWG 6-250														
124	33 000	55 400	18 500	CRWG 6-300														
151	37 200	64 600	21 500	CRWG 6-350														

Note⁽¹⁾: The value shows the mass of one piece of way.
⁽²⁾: The value shows the mass of one roller cage.
⁽³⁾: Direction of basic dynamic load rating (C), basic static load rating (C₀) and allowable load (F) is shown in below.

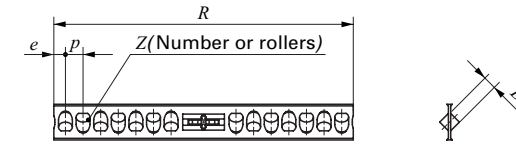
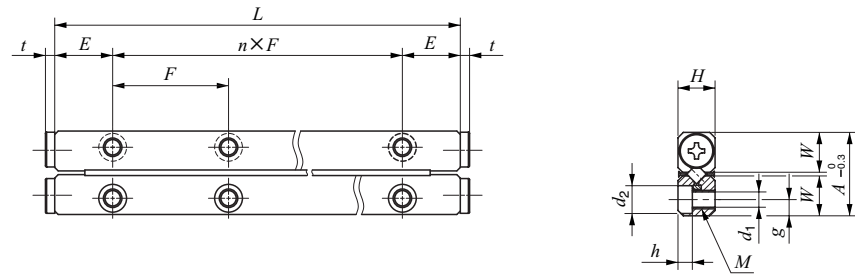


Example of identification number



Anti-Creep Cage Crossed Roller Way H CRWG...H

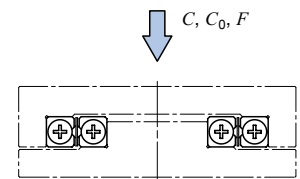
CRWG...H



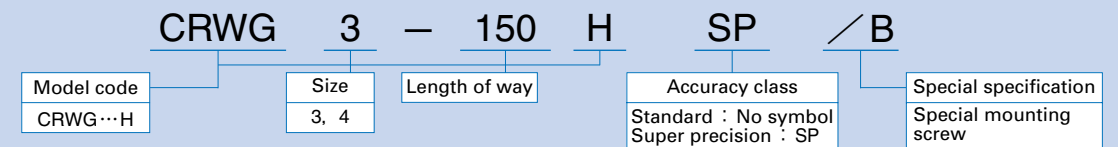
Model number	Mass (Ref.)		Nominal dimensions mm								
	Way ⁽¹⁾ g	Roller cage ⁽²⁾ g	Boundary dimensions				Dimension of roller cage				
			A	H	L (n × F)	E	D _w	R	Z	p	e
CRWG 3- 50H	22.8	1.58	18	8	50 (1 × 25)	12.5	3	41.8	8	3.8	2.5
CRWG 3- 75H	33.7	2.28			75 (2 × 25)			57	12		
CRWG 3-100H	44.7	3.33			100 (3 × 25)			79.8	18		
CRWG 3-125H	55.7	4.02			125 (4 × 25)			95	22		
CRWG 3-150H	66.7	5.07			150 (5 × 25)			117.8	28		
CRWG 3-175H	77.6	5.69			175 (6 × 25)			133	32		
CRWG 3-200H	88.6	6.81			200 (7 × 25)			155.8	38		
CRWG 3-225H	99.6	7.85			225 (8 × 25)			178.6	44		
CRWG 3-250H	111	8.55			250 (9 × 25)			193.8	48		
CRWG 4- 80H	61.4	4.35			22			11	80 (1 × 40)		
CRWG 4-120H	92.7	6.80	120 (2 × 40)	88.2		16					
CRWG 4-160H	124	9.25	160 (3 × 40)	117		22					
CRWG 4-200H	155	11.7	200 (4 × 40)	145.8		28					
CRWG 4-240H	186	15.0	240 (5 × 40)	184.2		36					
CRWG 4-280H	218	17.4	280 (6 × 40)	213		42					
CRWG 4-320H	249	19.9	320 (7 × 40)	241.8		48					

Mounting dimensions							Maximum stroke length mm	Basic dynamic load rating ⁽³⁾ C N	Basic static load rating ⁽³⁾ C ₀ N	Allowable load ⁽³⁾ F N	Model number
W	g	M	d ₁	d ₂	h	t					
8.6	3.5	M4	3.3	6	3.1	2	13	4 260	6 490	2 160	CRWG 3- 50H
							29	5 840	9 730	3 240	CRWG 3- 75H
							33	8 000	14 600	4 870	CRWG 3-100H
							53	9 350	17 800	5 950	CRWG 3-125H
							57	11 300	22 700	7 570	CRWG 3-150H
							77	12 500	26 000	8 650	CRWG 3-175H
							81	14 300	30 800	10 300	CRWG 3-200H
							86	16 000	35 700	11 900	CRWG 3-225H
							105	17 100	38 900	13 000	CRWG 3-250H
							10.6	4.5	M5	4.3	7.5
45	15 200	27 300	9 100	CRWG 4-120H							
68	19 500	37 500	12 500	CRWG 4-160H							
90	23 500	47 800	15 900	CRWG 4-200H							
93	28 600	61 400	20 500	CRWG 4-240H							
116	32 200	71 700	23 900	CRWG 4-280H							
138	35 700	81 900	27 300	CRWG 4-320H							

Note⁽¹⁾: The value shows the mass of one piece of way.
⁽²⁾: The value shows the mass of one roller cage.
⁽³⁾: Direction of basic dynamic load rating (C), basic static load rating (C₀) and allowable load (F) is shown in below.



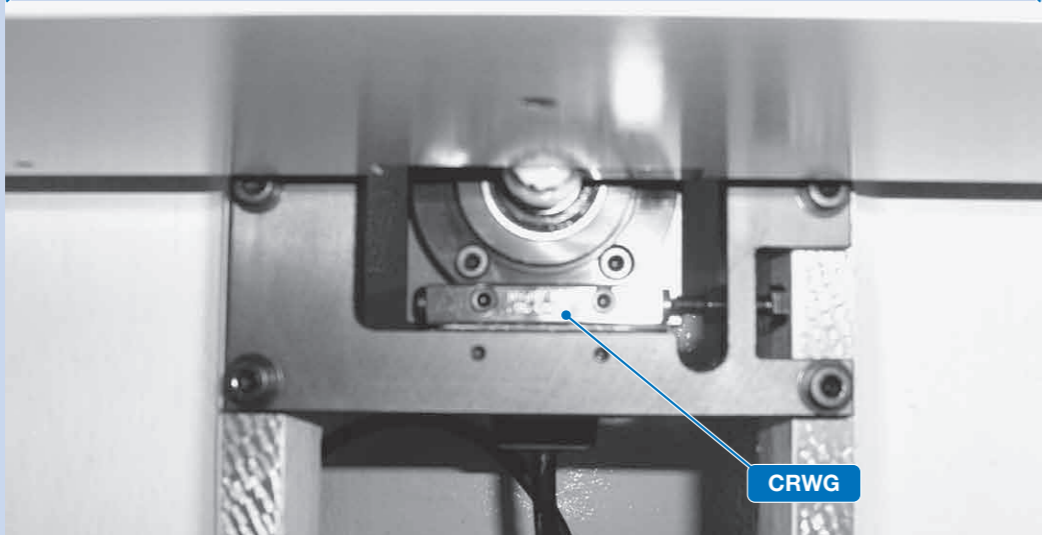
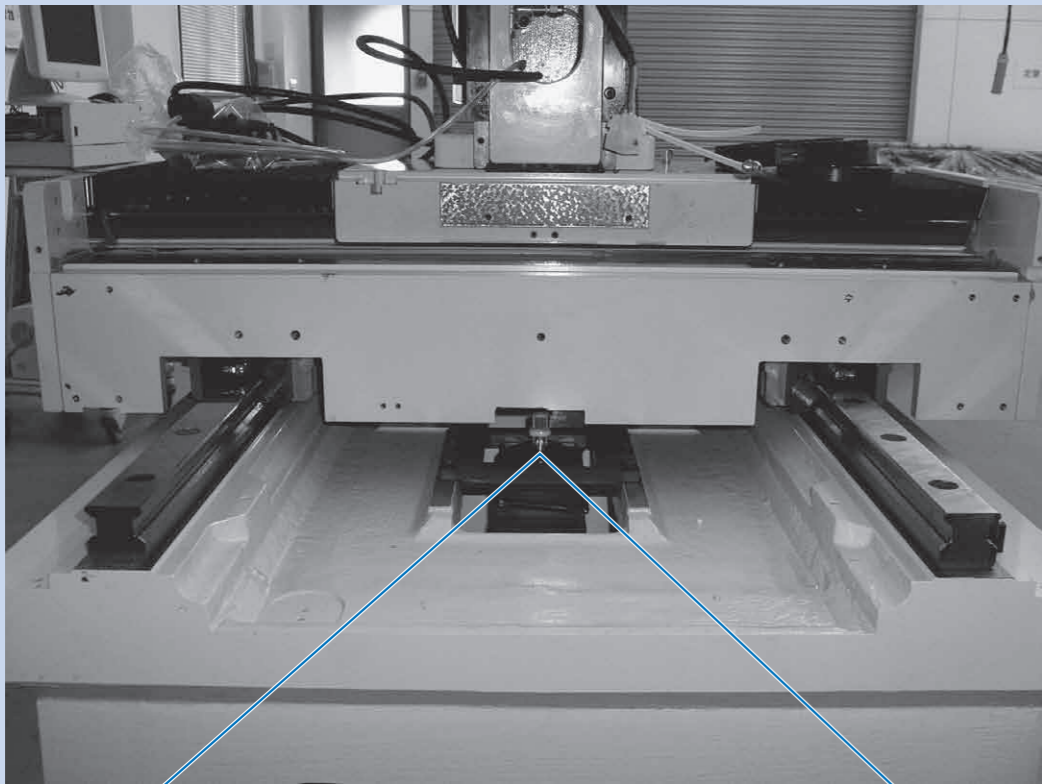
Example of identification number



Application Examples

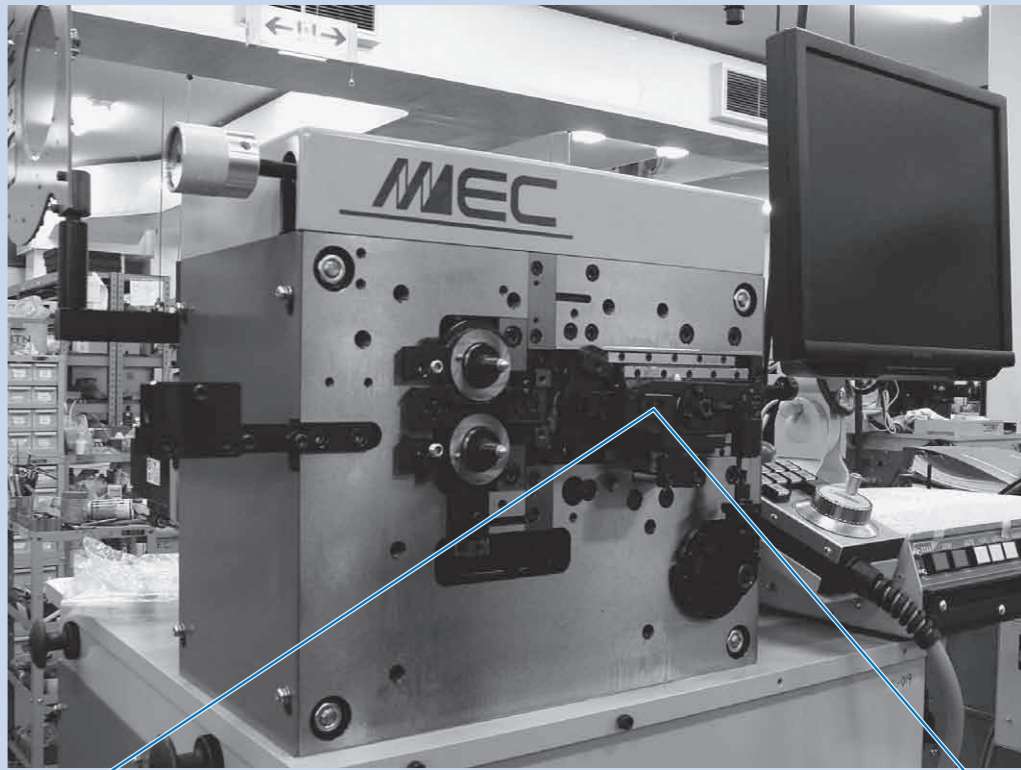
Inspection machine for gear

CRWG



Spring forming machine

CRWG



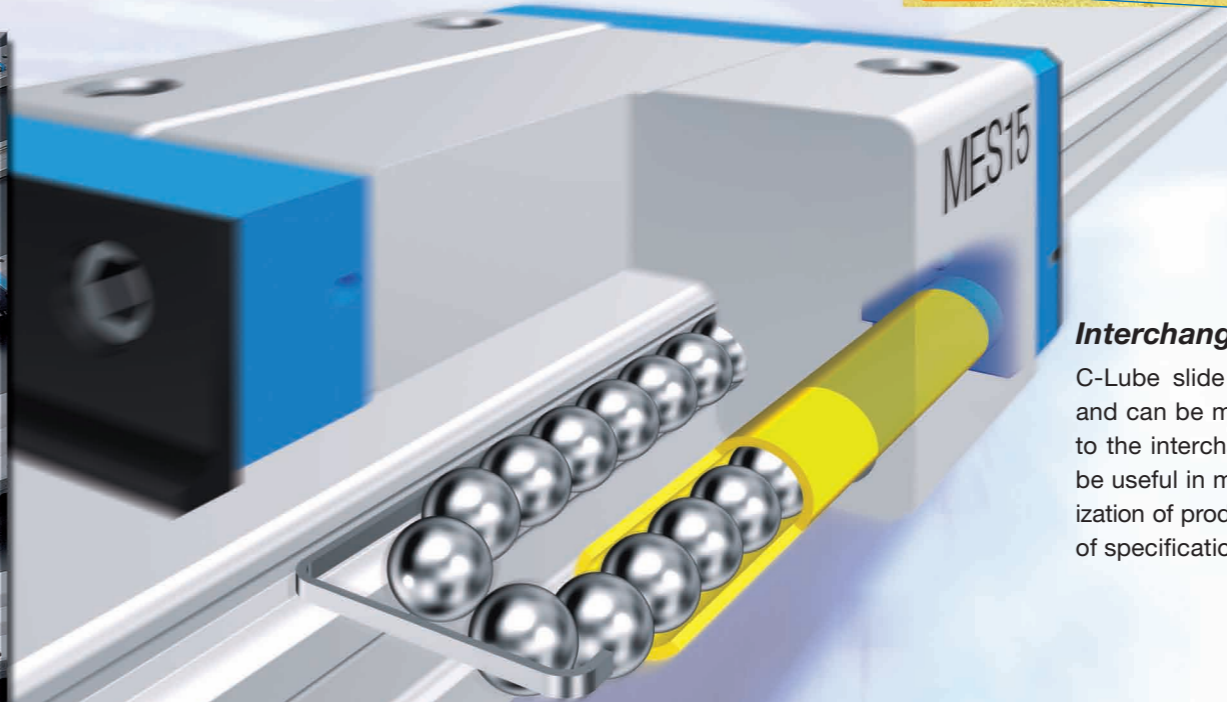
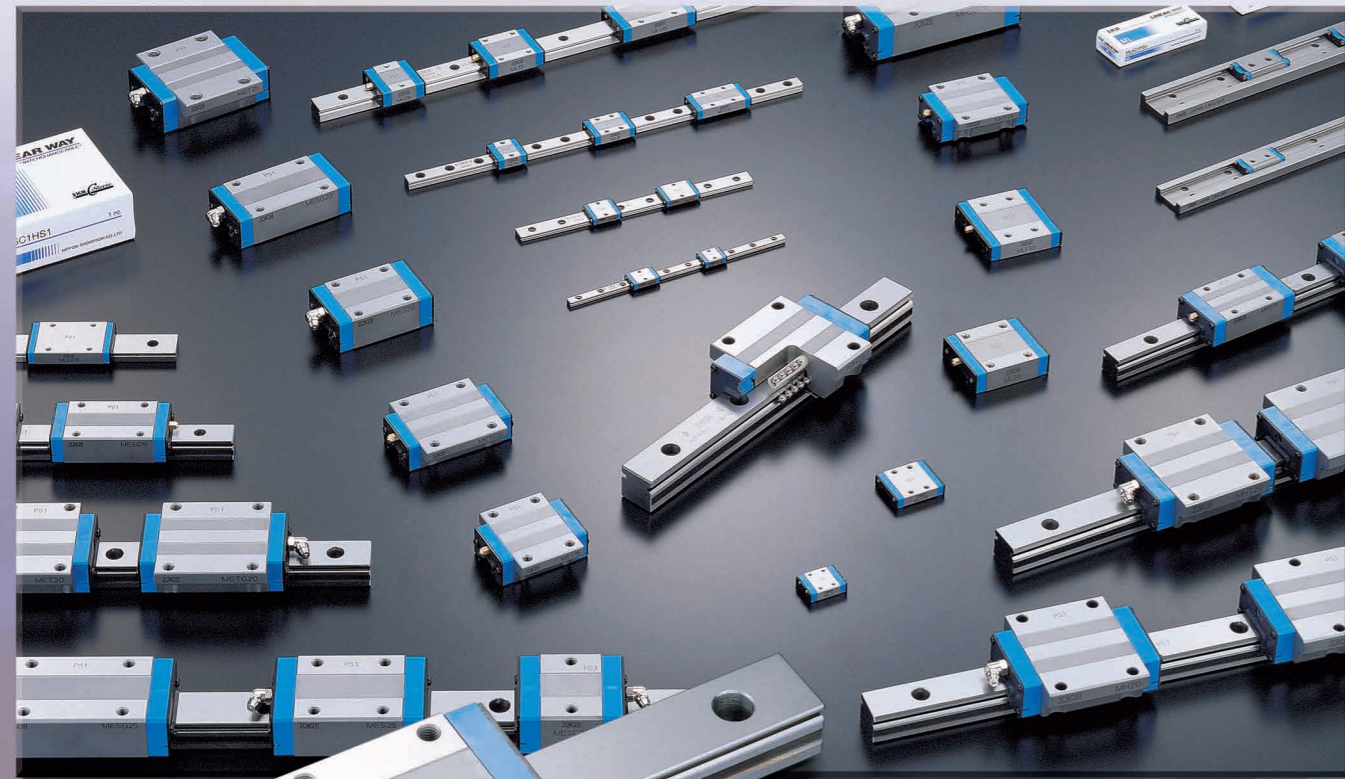
Engineers' dream now becomes a reality

Maintenance free for 20,000km or 5 years

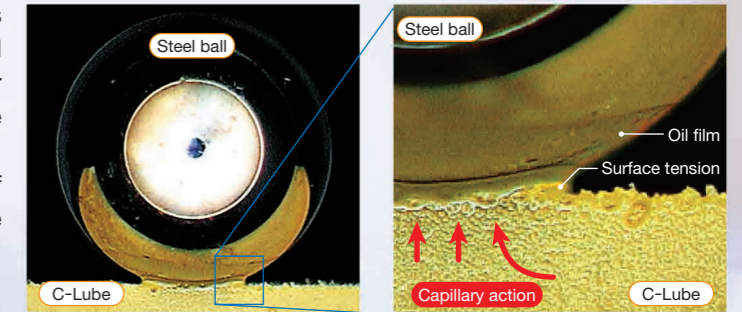
IKO Maintenance Free & Interchangeable

C-Lube Linear Way

ML ME MH MUL



The Capillary system that IKO have developed is a new method of lubrication. The sleeve is formed by sintering fine resin powder to act as reservoir and the open pores are impregnated with a large amount of lubrication oil. The capillary action deposits the correct amount of lubrication on the rolling elements to protect the raceways for long periods.



Interchangeable series is available.
C-Lube slide units can be supplied separately, and can be matched, replaced and added freely to the interchangeable track rail. This feature is useful in machine design, facilitating standardization of product specification and quick changes of specification.

Maintenance Free

Efficiency of the lubricant is maintained for a long term allowing to reduce the cost of lubrication management systems.

Ecology

As C-Lube technology minimizes the amount of lubricant required that contributes to the global environment protection.

Compact

Unlike attached-on external lubrication parts, there is no increase in carriage length. No loss of available stroke length when replacing standard units.

Smooth

Light and smooth running is achieved by the improvement of internal design. C-Lube is designed not to have direct contact with the track rail allowing very smooth operation.



Miniature type ML series



Compact ME series



High load capacity MH series



U-shaped track rail MUL series



World Network of **IKO**

NIPPON THOMPSON CO., LTD.

Head office : 19-19 Takanawa 2-chome Minato-ku,
Tokyo 108-8586, Japan
Phone : +81 (0)3-3448-5850
Fax : +81 (0)3-3447-7637
E-mail : ntt@ikonet.co.jp
URL : <http://www.ikont.co.jp/eg/>
Plant : Gifu, Kamakura

NIPPON THOMPSON CO., LTD.

ASEAN REPRESENTATIVE OFFICE

Level 8, #1 Silom Road, Silom
Bangrak, Bangkok
Thailand 10500
Phone: +66 (0)2-231-8278
Fax: +66 (0)2-231-8121
E-mail: ntar@ikonet.co.jp

IKO-THOMPSON (SHANGHAI) LTD.

Shanghai

1402-1404 Sunyoung Center
28 Xuanhua Road, Shanghai
People's Republic of China 200050
Phone: +86 (0)21-3250-5525
Fax: +86 (0)21-3250-5526
E-mail: ntc@ikonet.co.jp

Beijing

Room 1515 15/F, NCI Tower
12A Jianguomenwai Ave, Chaoyang District, Beijing
People's Republic of China 100022
Phone: +86 (0)10-8523-3412
Fax: +86 (0)21-3250-5526
E-mail: ntc@ikonet.co.jp

Guangzhou

Suite 834, Garden Tower, Garden Hotel
368 Huanshi Donglu Yuexiu District, Guangzhou, Guangdong
People's Republic of China 510064
Phone: +86 (0)20-8384-0797
Fax: +86 (0)20-8381-2863
E-mail: ntc@ikonet.co.jp

Wuhan

Room 0233, Novotel Wuhan Xinhua
558 Jianshe Avenue, Jiang Han District, Wuhan, Hubei
People's Republic of China 430022
Phone: +86 (0)27-8556-1610
Fax: +86 (0)27-8556-1630
E-mail: ntc@ikonet.co.jp

IKO INTERNATIONAL, INC.

East coast

91 Walsh Drive
Parsippany, NJ 07054
U.S.A.
Phone: +1 973-402-0254
Toll Free: 1-800-922-0337
Fax: +1 973-402-0441
E-mail: eco@ikonet.co.jp

Midwest

500 K East Thorndale Avenue
Wood Dale, IL 60191
U.S.A.
Phone: +1 630-766-6464
Toll Free: 1-800-323-6694
Fax: +1 630-766-6869
E-mail: mwo@ikonet.co.jp

West coast

9830 Norwalk Boulevard, Suite 198
Santa Fe Springs, CA 90670
U.S.A.
Phone: +1 310-609-3988
Toll Free: 1-800-252-3665
Fax: +1 310-609-3916
E-mail: wco@ikonet.co.jp

3333 Bowers Avenue, Suite 155
Santa Clara, CA 95054
U.S.A.
Phone: +1 408-492-0240
Toll Free: 1-800-252-3665
Fax: +1 408-492-0245
E-mail: wco@ikonet.co.jp

Southeast

2150 Boggs Road, Suite 100
Duluth, GA 30096
U.S.A.
Phone: +1 770-418-1904
Toll Free: 1-800-874-6445
Fax: +1 770-418-9403
E-mail: seo@ikonet.co.jp

Southwest

8105 N. Beltline Road
Suite 130, Irving, TX 75063
U.S.A.
Phone: +1 972-929-1515
Toll Free: 1-800-295-7886
Fax: +1 972-915-0060
E-mail: swo@ikonet.co.jp

NIPPON THOMPSON EUROPE B.V.

The Netherlands

Sheffieldstraat 35-39
3047 AN Rotterdam
The Netherlands
Phone: +31 (0)10-4626868
Fax: +31 (0)10-4626099
E-mail: nte@ikonet.co.jp

Germany

Mündelheimer Weg 56
40472 Düsseldorf
Germany
Phone: +49 (0)211-414061
Fax: +49 (0)211-427693
E-mail: ntdr@ikonet.co.jp

Im Gewerbepark D 30
93059 Regensburg
Germany
Phone: +49 (0)941-206070
Fax: +49 (0)941-2060719
E-mail: ntdr@iko-nt.de

Gruben Str.95c
66540 Neunkirchen
Germany
Phone: +49 (0)6821-999-860
Fax: +49 (0)6821-999-8626
E-mail: ntdn@iko-nt.de

UK

2 Vincent Avenue, Crownhill
Milton Keynes Bucks MK8 0AB
United Kingdom
Phone: +44 (0)1908-566144
Fax: +44 (0)1908-565458
E-mail: sales@iko.co.uk

Spain

Autovia Madrid-Barcelona, Km. 43,700
Polig. Ind. AIDA, A-8, Ofic. 2, 1^a
19200-Azuqueca de Henares
Guadalajara, Spain
Phone: +34 949-263390
Fax: +34 949-263113
E-mail: nts@ikonet.co.jp

France

Roissypole Le Dôme
2 rue de La Haye
BP 15950 Tremblay en France
95733 Roissy C. D. G. Cedex
France
Phone: +33 (0)1-48165739
Fax: +33 (0)1-48165746
E-mail: ntf@ikonet.co.jp

Recognizing that conservation of the global environment is the top-priority challenge for the world's population, Nippon Thompson will conduct its activities with consideration of the environment as a corporate social responsibility, reduce its negative impact on the environment, and help foster a rich global environment.

**ISO 9001 & 14001 Quality system
registration certificate**

