



NIPPON THOMPSON CO., LTD. (JAPAN)

Head Office : 7-17 Shiba 2-chome Minato-ku
Tokyo 105-0014, Japan
Phone : +81 (0)3-3448-5850
Fax : +81 (0)3-3447-7637
E-mail : ntt@ikonet.co.jp
URL : <http://www.ikont.co.jp/eg/>
Plant : Gifu, Kamakura

IKO INTERNATIONAL, INC. (U.S.A.)

East Coast Operations (Sales Head Office)

91 Walsh Drive
Parsippany, NJ 07054
U.S.A.
Phone : +1 973-402-0254
Toll Free : 1-800-922-0337
Fax : +1 973-402-0441
E-mail : eco@ikonet.co.jp

Midwest Operations

101 Mark Street Unit G,
Wood Dale, IL 60191
U.S.A.
Phone : +1 630-766-6464
Toll Free : 1-800-323-6694
Fax : +1 630-766-6869
E-mail : mwo@ikonet.co.jp

Minnesota Sales Office

1500 McAndrews Road West, Suite 210
Burnsville, MN 55337
U.S.A.
Phone : +1 952-892-8415
Toll Free : 1-800-323-6694
Fax : +1 952-892-1722
E-mail : mwo@ikonet.co.jp

West Coast Operations

9830 Norwalk Boulevard, Suite 198
Santa Fe Springs, CA 90670
U.S.A.
Phone : +1 562-941-1019
Toll Free : 1-800-252-3665
Fax : +1 562-941-4027
E-mail : wco@ikonet.co.jp

Silicon Valley Sales Office

1500 Wyatt Drive, Suite 10
Santa Clara, CA 95054
U.S.A.
Phone : +1 408-492-0240
Toll Free : 1-800-252-3665
Fax : +1 408-492-0245
E-mail : wco@ikonet.co.jp

Southeast Operations

2150 Boggs Road, Suite 100
Duluth, GA 30096
U.S.A.
Phone : +1 770-418-1904
Toll Free : 1-800-874-6445
Fax : +1 770-418-9403
E-mail : seo@ikonet.co.jp

Southwest Operations

8105 N. Beltline Road, Suite 130
Irving, TX 75063
U.S.A.
Phone : +1 972-929-1515
Toll Free : 1-800-295-7886
Fax : +1 972-915-0060
E-mail : swo@ikonet.co.jp

IKO THOMPSON BEARINGS CANADA, INC.(CANADA)

731-2425 Matheson Boulevard East 7th floor
Mississauga, Ontario L4W 5K4, Canada
Phone : +1 905-361-2872
Fax : +1 905-361-6401
E-mail : itc@ikonet.co.jp

IKO THOMPSON BRAZIL SERVICE CO.,LTD. (BRAZIL)

Rua Frei Caneca 1407, Condominio Edifício Barão
de Monte Cedro, Cjs. 801/802, Consolação,
01307-909, São Paulo, SP, Brazil
Phone : +55 (0)11-2366-3033
E-mail : itb@ikonet.co.jp

NIPPON THOMPSON EUROPE B.V. (EUROPE)

The Netherlands (Sales Head Office)

Sheffieldstraat 35
3047 AN Rotterdam
The Netherlands
Phone : +31 (0)10-462 68 68
E-mail : nte@ikonet.co.jp

Germany Branch

Mündelheimer Weg 54
40472 Düsseldorf
Germany
Phone : +49 (0)211-41 40 61
Fax : +49 (0)211-42 76 93
E-mail : ntd@ikonet.co.jp

Regensburg Sales Office

Im Gewerbepark D 30
93059 Regensburg
Germany
Phone : +49 (0)941-20 60 70
Fax : +49 (0)941-20 60 719
E-mail : ntdr@iko-nt.de

Neunkirchen Sales Office

Gruben Str. 95c
66540 Neunkirchen
Germany
Phone : +49 (0)6821-99 98 60
Fax : +49 (0)6821-99 98 626
E-mail : ntdn@iko-nt.de

U.K. Branch

2 Vincent Avenue, Crownhill
Milton Keynes, Bucks, MK8 0AB
United Kingdom
Phone : +44 (0)1908-566144
Fax : +44 (0)1908-565458
E-mail : sales@iko.co.uk

Spain Branch

Autovia Madrid-Barcelona, Km. 43,700
Polig. Ind. AIDA - Nove A-8, Ofic. 2-1ª
19200 Azuqueca de Henares
(Guadalajara) Spain
Phone : +34 949-26 33 90
Fax : +34 949-26 31 13
E-mail : nts@ikonet.co.jp

France Branch

Bâtiment le Raphaël Paris Nord 2
22 avenue des Nations
BP54394 Villepinte
95943 ROISSY C.D.G Cedex
France
Phone : +33 (0)1-48 16 57 39
Fax : +33 (0)1-48 16 57 46
E-mail : contact@iko-france.com

IKO THOMPSON KOREA CO.,LTD. (KOREA)

2F, 111, Yeouigongwon-ro,
Yeongdeungpo-gu, Seoul, Korea
Phone : +82 (0)2-6337-5851
Fax : +82 (0)2-6337-5852
E-mail : itk@ikonet.co.jp

IKO THOMPSON ASIA CO., LTD. (THAILAND)

1-7 Zuellig House, 3rd Floor
Silom Road, Silom, Bangrak
Bangkok 10500, Thailand
Phone : +66 (0)2-637-5115
Fax : +66 (0)2-637-5116
E-mail : ita@ikonet.co.jp

IKO-THOMPSON (SHANGHAI) LTD. (CHINA)

Shanghai (Sales Head Office)

1608-10 MetroPlaza No.555 LouShanGuan
Road
ChangNing District Shanghai
People's Republic of China 200051
Phone : +86 (0)21-3250-5525
Fax : +86 (0)21-3250-5526
E-mail : ntc@ikonet.co.jp

Beijing Branch

Room1506, Jingtai Tower,
NO.24,Jianguomenwai Avenue,
Chaoyang District, Beijing People's Republic of
China 100022
Phone : +86 (0)10-6515-7681
Fax : +86 (0)10-6515-7681*106
E-mail : ntc@ikonet.co.jp

Guangzhou Branch

Room 834, Garden Tower, Garden Hotel
368 Huanshi East Road, Yuexiu District,
Guangzhou, Guangdong
People's Republic of China 510064
Phone : +86 (0)20-8384-0797
Fax : +86 (0)20-8381-2863
E-mail : ntc@ikonet.co.jp

Wuhan Branch

Room 2300, Truroll Plaza No.72 Wusheng
Road, Qiao kou District, Wuhan, Hubei
People's Republic of China 430033
Phone : +86 (0)27-8556-1610
Fax : +86 (0)27-8556-1630
E-mail : ntc@ikonet.co.jp

Shenzhen Office

Room 420, Oriental Plaza,
1072 Jianshe Road, Luohu District,
Shenzhen, Guangdong
People's Republic of China 518001
Phone : +86 (0)755-2265-0553
Fax : +86 (0)755-2298-0665
E-mail : ntc@ikonet.co.jp

Ningbo Office

Room 3406, Zhongnongxin Building, No.181
Zhongshan East Road, Haishu Ward, Ningbo,
Zhejiang
People's Republic of China 315000
Phone : +86 (0)574-8718-9535
Fax : +86 (0)574-8718-9533
E-mail : ntc@ikonet.co.jp

Qingdao Office

2107 Block A, World Trade Center Building,
No.230
Changjiang Middle Road, Development Zone
Qingdao
People's Republic of China 266555
Phone : +86 (0)532-8670-2246
Fax : +86 (0)532-8670-2242
E-mail : ntc@ikonet.co.jp

Shenyang Office

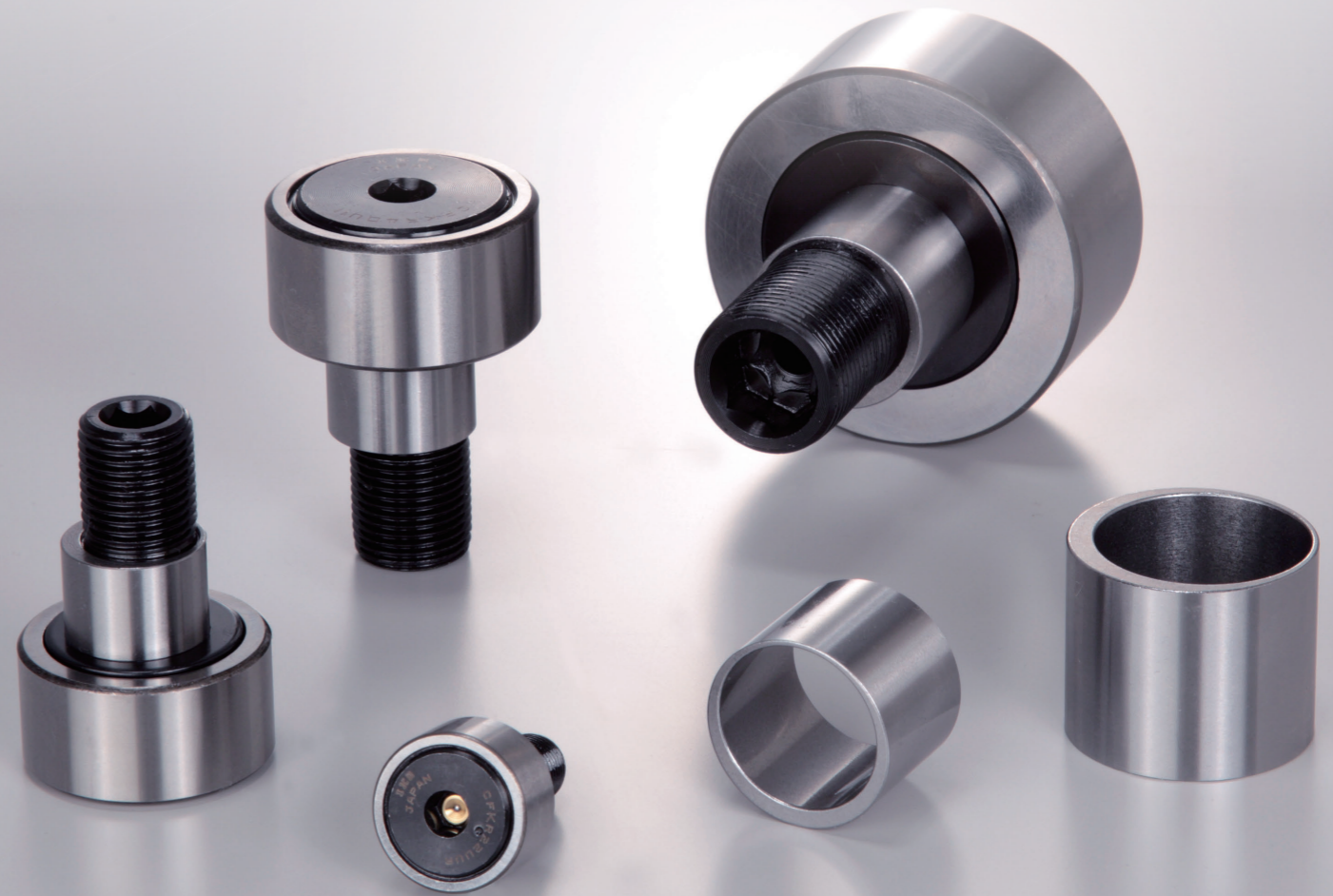
2-1203 Tower I, City Plaza Shenyang, No.206
Nanjing North Street Heping District,
Shenyang
People's Republic of China 110001
Phone : +86 (0)24-2334-2662
Fax : +86 (0)24-2334-2442
E-mail : ntc@ikonet.co.jp

IKO

New

Eccentric Type Cam Followers

CFKRE



* The specifications and dimensions of products in this catalog are subject to change without prior notice. * When these products are exported, the exporter should confirm a forwarding country and a use, and, in case of falling under the customer's requirements, take necessary procedures such as export permission application. * Although all data in this catalog has been carefully compiled to make the information as complete as possible, NIPPON THOMPSON CO., LTD. shall not be liable for any damages whatsoever, direct or indirect, based upon any information in this catalog. NIPPON THOMPSON CO., LTD. makes no warranty, either express or implied, including the implied warranty of merchantability or fitness for a particular purpose. * Reproduction and conversion without permission are prohibited.



ISO 9001 & 14001 Quality system registration certificate

The *New* CFKRE Eccentric Type Cam Follower has double hex holes for easy mounting!

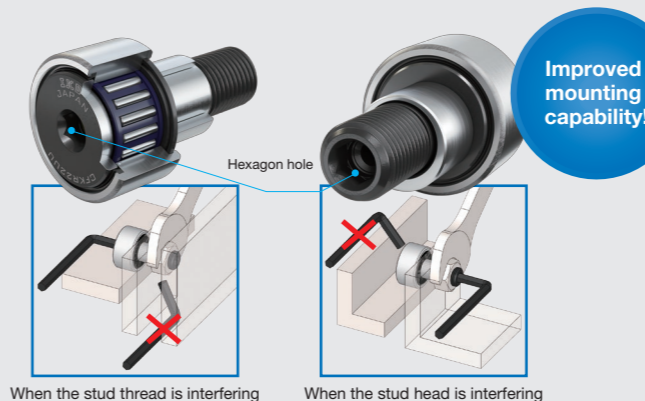


Variations of CFKRE

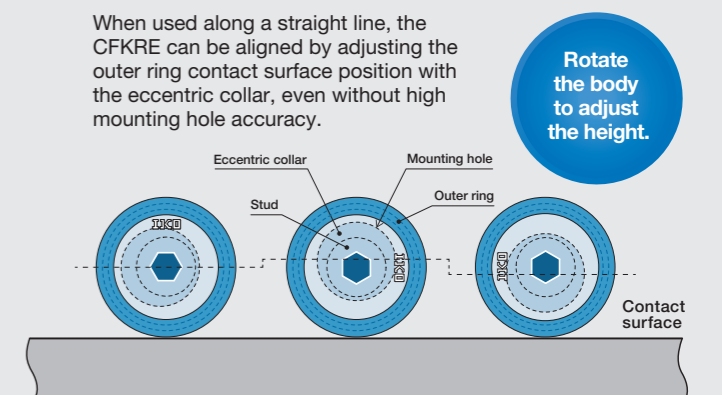
Model of bearing	Roller guide method	Shape of outer ring outside surface	Shape of seal	Identification number	Size (outside dia. of outer ring)														
					22	26	30	32	35	40	47	52	62	72	80	85	90		
Eccentric Type Cam Followers CFKRE	With cage	Crowned outer ring	Shield type	CFKRE...R New	○	○	○	○	○	○	○	○	○	○	○	○	○	○	
			Sealed type	CFKRE...UUR	○	○	○	○	○	○	○	○	○	○	○	○	○	○	○
		Cylindrical outer ring	Shield type	CFKRE	○	○	○	○	○	○	○	○	○	○	○	○	○	○	○
			Sealed type	CFKRE...UU	○	○	○	○	○	○	○	○	○	○	○	○	○	○	○
	Full complement	Crowned outer ring	Shield type	CFKRE...VR	○	○	○	○	○	○	○	○	○	○	○	○	○	○	
			Sealed type	CFKRE...VUUR	○	○	○	○	○	○	○	○	○	○	○	○	○	○	○
		Cylindrical outer ring	Shield type	CFKRE...V	○	○	○	○	○	○	○	○	○	○	○	○	○	○	○
			Sealed type	CFKRE...VUU	○	○	○	○	○	○	○	○	○	○	○	○	○	○	○

Two Major Features of CFKRE

1 CFKRE has hexagon holes at the end of each stud, making it possible to mount from any location.



2 With the eccentric collar, it is easy to adjust the radial positioning.



Example of Identification Number

CFKRE 30 V UU R

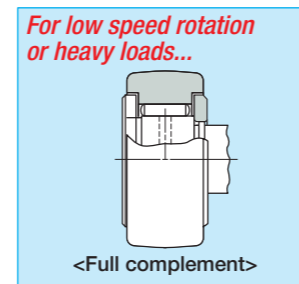
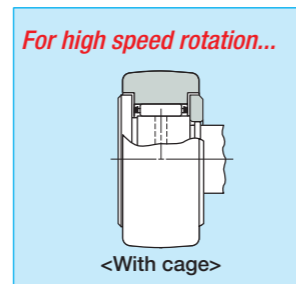
1 Model	CFKRE Eccentric Type Cam Followers
2 Dimensions	Shows the outer ring outside diameter. (unit: mm)
3 Roller guide method	No symbol With cage V Full complement

4 Seal structure	No symbol Shield type UU Sealed type
5 Shape of outer ring outside surface	No symbol Cylindrical outer ring R Crowned outer ring

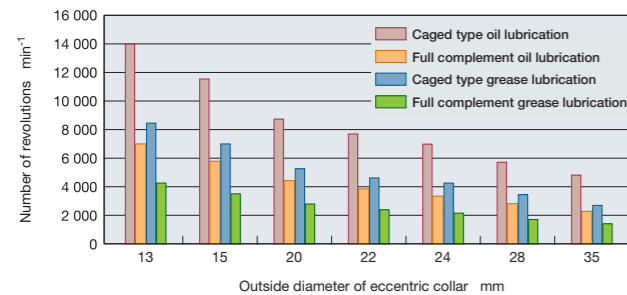
Wide Selection of Product Specifications for Your Use

Roller guide method

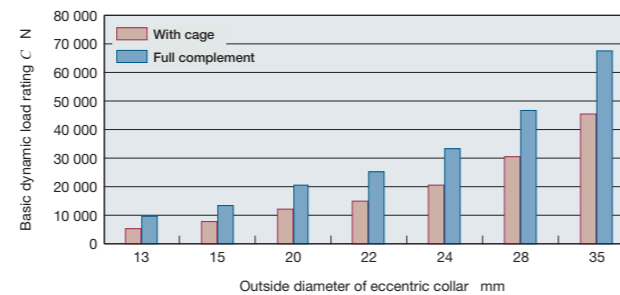
Caged type has a smaller friction coefficient and is best suited for high speed rotation.
Full complement is best suited for low speed rotation, oscillatory movement or heavy loads.



Allowable rotational speed comparison

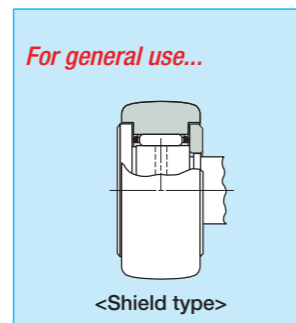


Dynamic load rating comparison



Seal structure

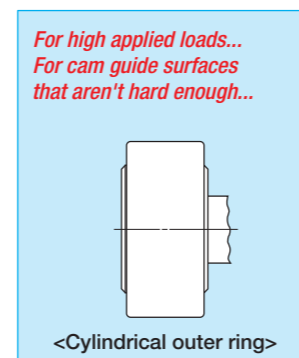
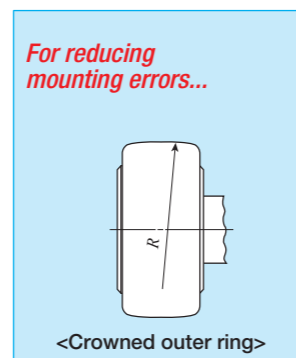
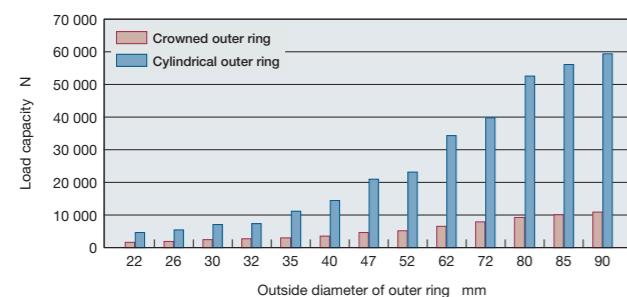
The shield type has narrow clearances between the outer ring and the stud flange and between the outer ring and the side plate that form labyrinths.
The sealed type incorporates seals to prevent the penetration of foreign particles.



Shape of outer ring outside surface

The crowned outer ring is effective in moderating the edge load caused by mounting errors. The cylindrical outer ring is suitable for applications where the applied load is large or the cam guide surface is not hard enough.

Track capacity comparison



Accuracy

Table 1 Tolerance unit: μm

Name	Item	Crowned outer ring	Cylindrical outer ring
Outside dia. of outer ring D		0	See Table 2
		-50	
Width of outer ring C		0	
		-120	

Remark The recommended tolerance class for eccentric collar mounting holes is H7.

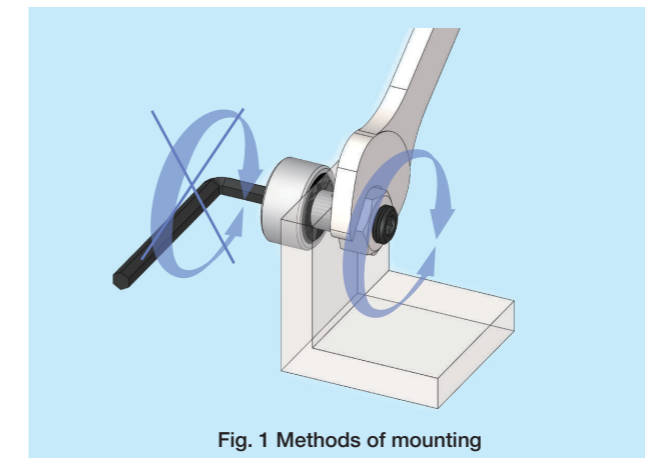
Table 2 Tolerance and allowance of outer ring (cylindrical outer ring) unit: μm

Nominal outside diameter of outer ring mm	Δ_{Dmp}		K_{ra}	
	Single plane mean outside diameter deviation	Radial runout (Maximum)		
Over	Incl.	High	Low	
18	30	0	-9	15
30	50	0	-11	20
50	80	0	-13	25
80	120	0	-15	35

Mounting

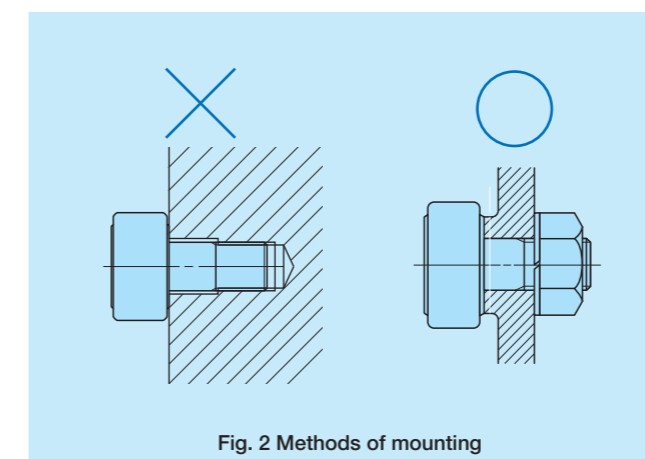
Notes about mounting methods

- When mounting cam followers, fix in place by holding the hexagon hole with a hex wrench and using a wrench to tighten the nut (See Fig. 1).
Mounting by turning the hexagon hole itself can cause damage to the hexagon hole of the cam follower.



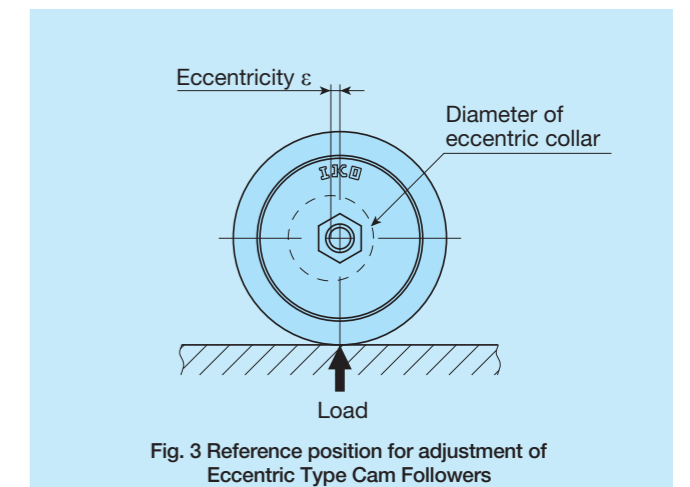
- When tightening the nut, the tightening torque should not exceed the values shown in the dimension table. If the tightening torque is too large, the threaded portion of the stud may break. When loosening, a special nut such as a lock nut, spring washer, or self-locking nut should be used.

- Direct-fixing the cam follower without nuts for mounting (See Fig. 2) is NOT recommended since it may be difficult to achieve sufficient tightening torque. If the screw loosens, stress concentrated on the thread can cause the stud to break.

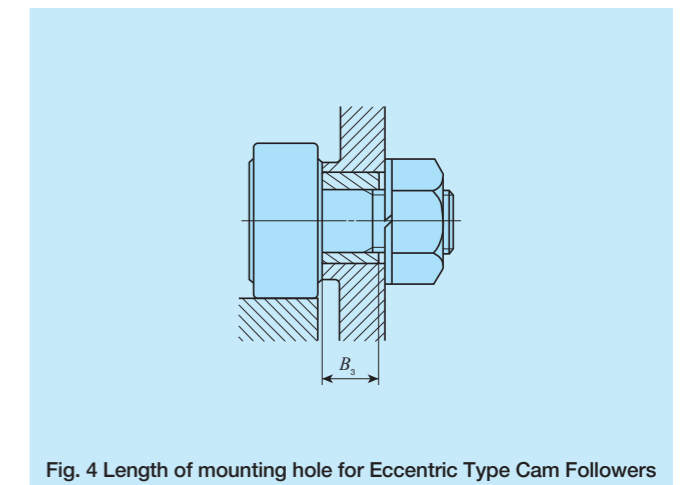


Mounting methods for Eccentric Type Cam Followers

- Eccentric Type Cam Followers are mounted with a reference position where the mark on the stud head is located (See Fig.3). The outer ring position can be adjusted by rotating it using the hexagon hole on the stud head. The stud is fixed with a nut and a spring washer, etc. The tightening torque should not exceed the maximum tightening torque values shown in the dimension table. When shock loads are applied and the adjusted eccentricity must be maintained, it is recommended to make holes in the housing, stud and eccentric collar, and to fix the stud with a dowel pin.

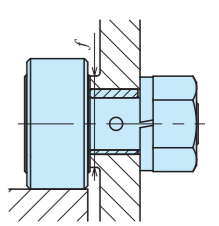
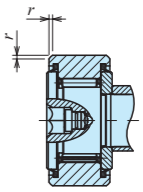
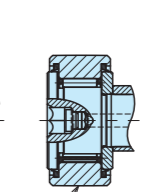
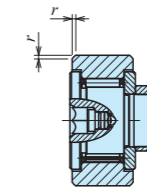
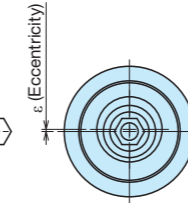
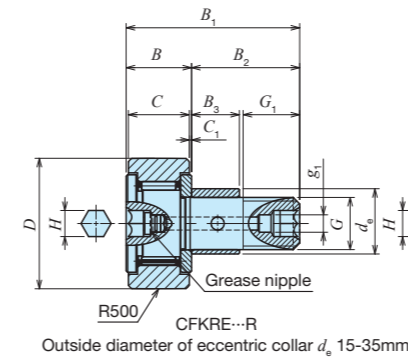
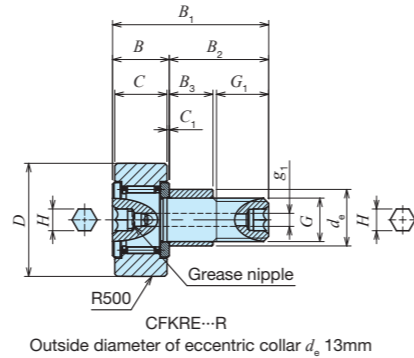


- For Eccentric Type Cam Followers, the length of the mounting hole should be more than the B3 dimension (eccentric collar width) shown in the dimension table (See Fig. 4).



Eccentric Type Cam Followers / With Cage

Type of material	No symbol	High carbon steel
	F	Stainless steel
Roller guide method	No symbol	With cage
	V	Full complement
Seal structure	No symbol	Shield type
	UU	Sealed type
Shape of outer ring outside surface	No symbol	Cylindrical outer ring
	R	Crowned outer ring



Outside diameter of eccentric collar mm	Identification number (1)				Mass (Ref.) g	Boundary dimensions mm											Eccentricity ϵ	Mounting related dimensions f Min. mm	Maximum tightening torque N·m	Basic dynamic load rating C N	Basic static load rating C_0 N	Maximum allowable static load N	Track capacity (2) N				
	Shield type		Sealed type			D	C	d_e	G	G_1	B_{max}	B_1_{max}	B_2	B_3	C_1	g_1							H	$r_{s min}$ (3)	ϵ	Crowned outer ring	Cylindrical outer ring
	Crowned outer ring	Cylindrical outer ring	Crowned outer ring	Cylindrical outer ring																							
13	CFKRE 22 R	CFKRE 22	CFKRE 22 UUR	CFKRE 22 UU	47	22	12	13	M10X1.0	12	13.2	36.2	23	10	0.6	3	5	0.3	0.5	16	13.0	5 430	6 890	6 890	1 610	4 680	
	CFKRE 26 R	CFKRE 26	CFKRE 26 UUR	CFKRE 26 UU	62	26	12	13	M10X1.0	12	13.2	36.2	23	10	0.6	3	5	0.3	0.5	16	13.0	5 430	6 890	6 890	2 030	5 530	
15	CFKRE 30 R	CFKRE 30	CFKRE 30 UUR	CFKRE 30 UU	100	30	14	15	M12X1.5	13	15.2	40.2	25	11	0.6	4	6	0.6	0.5	21	21.9	7 910	9 790	9 790	2 470	7 010	
	CFKRE 32 R	CFKRE 32	CFKRE 32 UUR	CFKRE 32 UU	110	32	14	15	M12X1.5	13	15.2	40.2	25	11	0.6	4	6	0.6	0.5	21	21.9	7 910	9 790	9 790	2 710	7 480	
20	CFKRE 35 R	CFKRE 35	CFKRE 35 UUR	CFKRE 35 UU	177	35	18	20	M16X1.5	17	19.6	52.1	32.5	14	0.8	4	8	0.6	1	26	58.5	12 000	18 300	18 300	3 060	11 200	
22	CFKRE 40 R	CFKRE 40	CFKRE 40 UUR	CFKRE 40 UU	264	40	20	22	M18X1.5	19	21.6	58.1	36.5	16	0.8	6	8	1	1	29	86.2	14 800	25 200	25 200	3 660	14 500	
24	CFKRE 47 R	CFKRE 47	CFKRE 47 UUR	CFKRE 47 UU	397	47	24	24	M20X1.5	21	25.6	66.1	40.5	18	0.8	6	10	1	1	34	119	20 700	34 600	34 600	4 530	21 000	
	CFKRE 52 R	CFKRE 52	CFKRE 52 UUR	CFKRE 52 UU	472	52	24	24	M20X1.5	21	25.6	66.1	40.5	18	0.8	6	10	1	1	34	119	20 700	34 600	34 600	5 190	23 200	
28	CFKRE 62 R	CFKRE 62	CFKRE 62 UUR	CFKRE 62 UU	823	62	29	28	M24X1.5	25	30.6	80.1	49.5	22	0.8	6	14	1	1	40	215	30 500	52 600	52 000	6 580	34 300	
	CFKRE 72 R	CFKRE 72	CFKRE 72 UUR	CFKRE 72 UU	1150	72	29	28	M24X1.5	25	30.6	80.1	49.5	22	0.8	6	14	1	1	40	215	30 500	52 600	52 000	8 020	39 800	
35	CFKRE 80 R	CFKRE 80	CFKRE 80 UUR	CFKRE 80 UU	1920	80	35	35	M30X1.5	32	37	100	63	29	1	6	14	1	1.5	49	438	45 400	85 100	85 100	9 220	52 700	
	CFKRE 85 R	CFKRE 85	CFKRE 85 UUR	CFKRE 85 UU	2080	85																			9 990	56 000	
	CFKRE 90 R	CFKRE 90	CFKRE 90 UUR	CFKRE 90 UU	2270	90																			10 800	59 300	

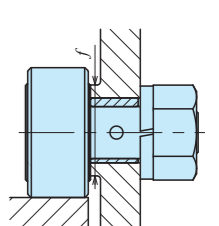
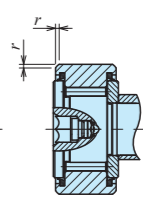
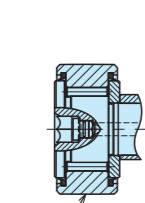
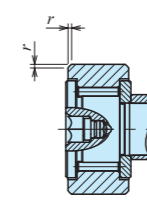
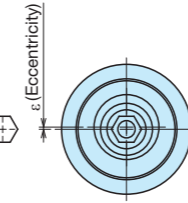
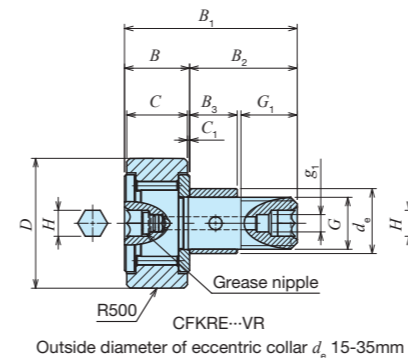
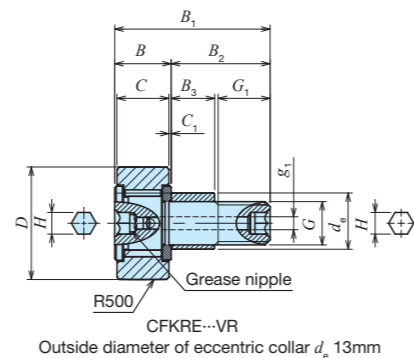
Note (1) The identification number indicates the outer ring outside diameter. Note (2) Minimum allowable value of chamfer dimension r . Note (3) Value when the mating surface hardness is 40HRC.

Remark Grease is pre-packed if the eccentric collar outer diameter d_e of the shield type is 13 mm or less or if the seal structure is the sealed type. Other models are not provided with pre-packed grease. Perform proper lubrication for use.

1N = 0.102 kgf

Eccentric Type Cam Followers / Full Complement

Type of material	No symbol	High carbon steel
	F	Stainless steel
Roller guide method	No symbol	With cage
	V	Full complement
Seal structure	No symbol	Shield type
	UU	Sealed type
Shape of outer ring outside surface	No symbol	Cylindrical outer ring
	R	Crowned outer ring



Outside diameter of eccentric collar mm	Identification number (1)				Mass (Ref.) g	Boundary dimensions mm											Eccentricity ϵ	Mounting related dimensions f Min. mm	Maximum tightening torque N·m	Basic dynamic load rating C N	Basic static load rating C_0 N	Maximum allowable static load N	Track capacity (2) N				
	Shield type		Sealed type			D	C	d_e	G	G_1	B_{max}	B_1_{max}	B_2	B_3	C_1	g_1							H	$r_{s min}$ (3)	ϵ	Crowned outer ring	Cylindrical outer ring
	Crowned outer ring	Cylindrical outer ring	Crowned outer ring	Cylindrical outer ring																							
13	CFKRE 22 VR	CFKRE 22 V	CFKRE 22 VUUR	CFKRE 22 VUU	48	22	12	13	M10X1.0	12	13.2	36.2	23	10	0.6	3	5	0.3	0.5	16	13.0	9 570	14 500	7 920	1 610	4 680	
	CFKRE 26 VR	CFKRE 26 V	CFKRE 26 VUUR	CFKRE 26 VUU	63	26	12	13	M10X1.0	12	13.2	36.2	23	10	0.6	3	5	0.3	0.5	16	13.0	9 570	14 500	7 920	2 030	5 530	
15	CFKRE 30 VR	CFKRE 30 V	CFKRE 30 VUUR	CFKRE 30 VUU	101	30	14	15	M12X1.5	13	15.2	40.2	25	11	0.6	4	6	0.6	0.5	21	21.9	13 500	19 700	13 200	2 470	7 010	
	CFKRE 32 VR	CFKRE 32 V	CFKRE 32 VUUR	CFKRE 32 VUU	111	32	14	15	M12X1.5	13	15.2	40.2	25	11	0.6	4	6	0.6	0.5	21	21.9	13 500	19 700	13 200	2 710	7 480	
20	CFKRE 35 VR	CFKRE 35 V	CFKRE 35 VUUR	CFKRE 35 VUU	180	35	18	20	M16X1.5	17	19.6	52.1	32.5	14	0.8	4	8	0.6	1	26	58.5	20 700	37 600	23 200	3 060	11 200	
22	CFKRE 40 VR	CFKRE 40 V	CFKRE 40 VUUR	CFKRE 40 VUU	269	40	20	22	M18X1.5	19	21.6	58.1	36.5	16	0.8	6	8	1	1	29	86.2	25 300	51 300	31 100	3 660	14 500	
24	CFKRE 47 VR	CFKRE 47 V	CFKRE 47 VUUR	CFKRE 47 VUU	402	47	24	24	M20X1.5	21	25.6	66.1	40.5	18	0.8	6	10	1	1	34	119	33 200	64 500	37 500	4 530	21 000	
	CFKRE 52 VR	CFKRE 52 V	CFKRE 52 VUUR	CFKRE 52 VUU	477	52	24	24	M20X1.5	21	25.6	66.1	40.5	18	0.8	6	10	1	1	34	119	33 200	64 500	37 500	5 190	23 200	
28	CFKRE 62 VR	CFKRE 62 V	CFKRE 62 VUUR	CFKRE 62 VUU	828	62	29	28	M24X1.5	25	30.6	80.1	49.5	22	0.8	6	14	1	1	40	215	46 600	92 000	52 000	6 580	34 300	
	CFKRE 72 VR	CFKRE 72 V	CFKRE 72 VUUR	CFKRE 72 VUU	1150	72	29	28	M24X1.5	25	30.6	80.1	49.5	22	0.8	6	14	1	1	40	215	46 600	92 000	52 000	8 020	39 800	
35	CFKRE 80 VR	CFKRE 80 V	CFKRE 80 VUUR	CFKRE 80 VUU	1920	80	35	35	M30X1.5	32	37	100	63	29	1	6	14	1	1.5	49	438	67 700	144 000	85 900	9 220	52 700	
	CFKRE 85 VR	CFKRE 85 V	CFKRE 85 VUUR	CFKRE 85 VUU	2080	85																			9 990	56 000	
	CFKRE 90 VR	CFKRE 90 V	CFKRE 90 VUUR	CFKRE 90 VUU	2270	90																			10 800	59 300	

Note (1) The identification number indicates the outer ring outside diameter. Note (2) Minimum allowable value of chamfer dimension r . Note (3) Value when the mating surface hardness is 40HRC.

Remark Provided with prepacked grease.

1N = 0.102 kgf